



QFRESH™



SPECIFICATIONS

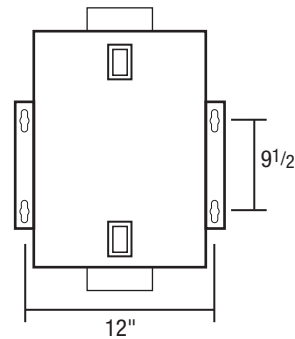
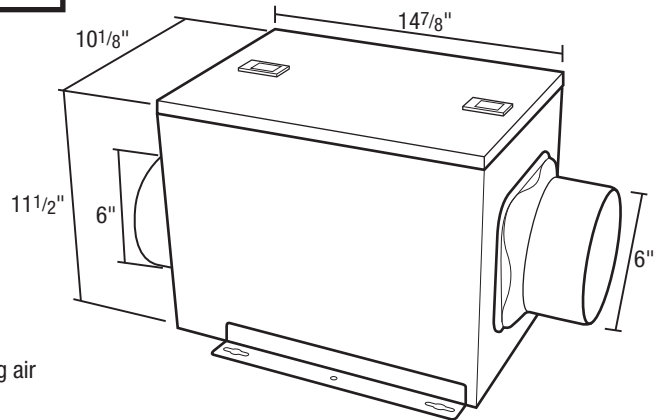
QFAMD

FRESH AIR SUPPLY FAN



130 CFM @ 0.20" SP., 26.0 Watts
80 CFM @ 0.20" SP., 12.8 Watts
30 CFM @ 0.20" SP., 7.8 Watts

- Blower Wheel**
 Balanced polymeric dual inlet blower wheel secured in place using a hex nut.
- Adjustable Capacity Motor**
 Variable capacity settings allow the fan to be set from 30 to 130 CFM
 4 pole ECM motor, permanently lubricated, thermally protected
 115/120V 60 Hz., 0.30 amps.
Fan Efficacy: 5.4 CFM/Watt at 130 CFM, 0.2" SP.
Static Pressure Range: Up to 0.4" SP.
- Controller**
 Unit mounted controller monitors temperature and humidity of incoming air and allows installer to configure optimal ventilation.
- Fan Housing**
 Insulated 26 gauge baked epoxy housing. Overall dimensions:
 14⁷/₈"H x 11¹/₂"D x 10¹/₈"W.
- Duct Collars**
 6" round, zinc plated metal collar adapters.
- Electrical Connections**
 0.5" electrical access. Easy wiring access via external wiring compartment cover or internal access plate.
- Unit Mounting**
 Designed to surface mount to a wall or ceiling with the included mounting brackets. Can be mounted onto joists, studs or the housing mounting brackets can be adapted for overhead mounting (hardware not provided).
- Optional Air Filter**
 An optional 10" x 10" x 2" air filter can be added to the unit (not included).
- Test Port**
 Allows easy air flow measurement with Pitot tube or similar device.
- Single Pack Shipping Info**
 Box Dim: 23" x 15⁷/₈" x 12³/₄"
 Shipping Weight: 18.0 lbs.



PROJECT							ARCHITECT			
LOCATION							ENGINEER			
CONTRACTOR							SUBMITTED BY		DATE	
FAN NUMBER	MODEL NUMBER	CFM	IN W.G.	RPM	WATTS	AMPS	SONES	QTY	OPTIONAL EQUIPMENT & REMARKS	



820 Lincoln Avenue • West Chester, Pennsylvania 19380-4466



QFRESH™

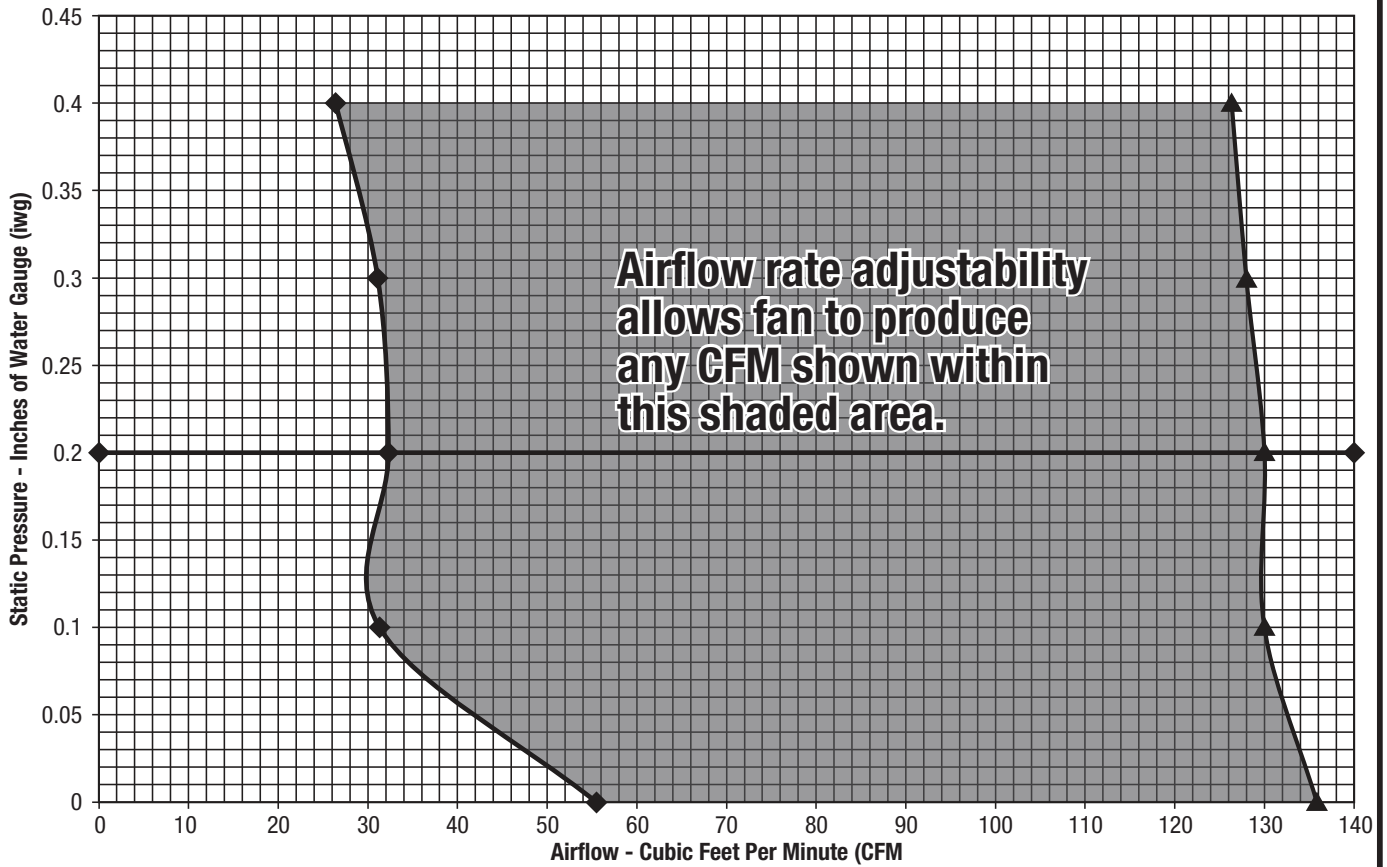


SPECIFICATIONS

QFAMD

FRESH AIR SUPPLY FAN

Model QFAMD Fan Curve



820 Lincoln Avenue • West Chester, Pennsylvania 19380-4466