

IMPORTANT INSTRUCTIONS - OPERATING MANUAL



24" & 30" QUIET DESIGN OSCILLATING PEDESTAL FAN

MODEL 99533 (24")

MODEL 99532 (30")

WARNING: This fan should be used only in a clean, dry environment. Mounting of this product in any way other than specified in the instruction sheet will null and void the manufacturers warranty.



READ AND SAVE THESE INSTRUCTIONS
READ CAREFULLY BEFORE ATTEMPTING TO ASSEMBLE,
INSTALL, OPERATE OR MAINTAIN THE PRODUCT DESCRIBED.
PROTECT YOURSELF AND OTHERS BY OBSERVING ALL SAFETY
INFORMATION. FAILURE TO COMPLY WITH INSTRUCTIONS COULD
RESULT IN PERSONAL INJURY AND/OR PROPERTY DAMAGE!



WARNING



IMPORTANT SAFETY INFORMATION

When using electrical appliances, basic precautions should always be followed to reduce the risk of fire, electrical shock and injury to persons, including the following:



Read all instructions before using this Fan.



WARNING

TO REDUCE THE RISK OF FIRE, ELECTRICAL SHOCK OR PERSONAL INJURY, ALWAYS FOLLOW THESE IMPORTANT SAFETY INSTRUCTIONS AND WARNINGS:



DO NOT use this fan to ventilate areas where flammable liquids or vapors are used, stored or are present, including paints, gasoline, varnishes, floor refinishing products or solvents. **ALWAYS** read and follow all warnings and instructions on the containers for these products!



ALWAYS be sure the plug fits tightly into the outlet. When plugs fit loosely into outlets, they may slip partially out of the outlet and create a poor connection. This may cause outlets to overheat and create a potential fire hazard. Outlets in this condition should be replaced by a qualified electrician.



ALWAYS unplug the power cord when servicing, cleaning or moving the Fan. **DO NOT** use the ON/OFF switch as the sole means of disconnecting power. **NEVER** leave children unattended when the Fan is on or plugged in. **ALWAYS** turn off and unplug the Fan when not in use.



BE CERTAIN that the power source for the Fan is 120V AC. **DO NOT** plug the Fan into 240V or other power source.

The **Blue Plug™** on your AirKing fan is a safety feature. It contains a non-replaceable safety device (fuse) that should not be removed or tampered with. To reduce the risk of fire, electric shock and personal injury, **DO NOT** attempt to remove, replace, repair or tamper with the originally supplied plug. If the Fan has stopped functioning, it may be due to the safety device incorporated in this plug.

The power cord is equipped with a three-prong grounded plug that must be inserted into a matching receptacle. Under no circumstances should the grounding prong be cut off the plug. Where a two-prong wall receptacle is encountered, it must be replaced with a properly grounded three-prong receptacle installed in accordance with the National Electrical Code (NEC) and all applicable local codes and ordinances. This work must be done only by a qualified electrician, using copper wire only.



DO NOT USE A THREE-PRONG TO TWO-PRONG ADAPTER. IMPROPER CONNECTION MAY CREATE THE RISK OF ELECTRICAL SHOCK. USE OF SUCH ADAPTERS IS NOT PERMITTED IN CANADA.

DO NOT USE THIS FAN WITH ANY SOLID STATE SPEED CONTROL DEVICES.



WARNING: To reduce the risk of fire, electric shock, or injury to persons, do not use replacement parts that have not been recommended by the manufacturer (e.g. parts made at home using a 3D printer).

CAUTION

- **AVOID** the use of extension cords, power strips, power taps, outlet style air fresheners or other cord connected device, as these devices may overheat and cause a fire hazard.
- **DO NOT** route power cord under rugs, carpets, runners or furniture. This may damage the cord or cause it to overheat creating a fire hazard.
- **ALWAYS** place the Fan on a stable, flat, level surface while in operation to prevent the Fan from overturning.
- **NEVER** insert or allow fingers or objects to enter grill openings while Fan is in operation or injury and/or damage to the Fan may occur.
- **DO NOT** block, cover or obstruct air flow to or from the fan while in operation.
- **DO NOT** use this Fan outdoors or near water or wet locations such as a bath tub, pool or hot tub. Use of this Fan in a wet location may create a shock hazard.
- **DO NOT** run cord under carpeting. Do not cover cord with throw rugs, runners, or similar coverings. Do not route cord under furniture or appliances. Arrange cord away from traffic area and where it will not be tripped over.
- **NEVER** use a single extension cord to operate more than one Fan or other electrical device.
- **DO NOT** use this Fan if it has been damaged or is not functioning properly.
- **THIS FAN DOES NOT MEET THE REQUIREMENTS OF NEC ARTICLE 547-7 (2008).** This Fan is not suitable for use in agricultural facilities including areas where livestock, poultry or other animals are confined. Please refer to National Electric Code (NEC) Article 547-7 (2008), or applicable state or local codes or standards relating to electrical requirements for agricultural buildings.
- **THIS FAN DOES NOT MEET THE REQUIREMENTS OF NEC ARTICLE 500 (2008).** This Fan is not suitable for use in hazardous locations. Please refer to National Electric Code (NEC) Article 500 or applicable state or local codes or standards relating to electrical requirements for hazardous locations.

SAVE THESE INSTRUCTIONS

MODEL 99533, 99532

DESCRIPTION

Designed for cooling workers in factories, warehouses, manufacturing facilities and garages where humid and demanding conditions exist. All circulator heads have high efficiency corrosion resistant propellers with steel blades. Circulator heads utilize a vertical tilt/locking adjustment for directional flow. Wire guards are black power-coated steel and comply with OSHA Standard 1910.212 (1/2" maximum opening). All circulator heads are oscillating that sweep through a 45° or 90° arc.

UNPACKING

1. Inspect for any damage that may have occurred during transit.
2. Shipping damage claim must be filed with carrier.
3. Check all bolts, screws, setscrews, etc. for looseness that may have occurred during transit. Retighten as needed.

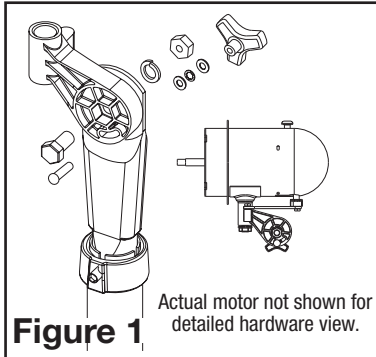
CAUTION: BECAUSE OF THE SIZE AND WEIGHT OF THIS FAN, ASSEMBLY MAY REQUIRE TWO PEOPLE.

NOTE: All hardware referred to in the instructions may be found in the supplied parts bags.

MOTOR & COLUMN ASSEMBLY

Locate motor hardware bag to assemble column and motor assembly.

1. Place flat section on upper tube of column assembly next to neck on motor assembly. Align the 1/2" diameter hole in the flat section on the upper tube of column assembly with the 1/2" diameter hole in the motor assembly (**Figure 1**).
2. Insert the 1/2" x 1" hex bolt (3/4" head) through the motor neck, and the upper tube assembly. Place 1/2" diameter split lockwasher then the 1/2" diameter hex nut (3/4" head) and tighten fully with an adjustable wrench (**Figure 1**).
3. From the same side of the motor neck, insert one 1/4-20 x 1 5/8" carriage bolt through the arc-shaped slot in the motor neck and hole in the upper pipe of column assembly (**Figure 1**).



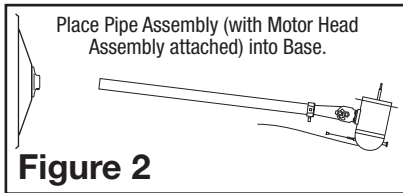
4. **To Fasten:** place one 1/4" flatwasher, one 1/4" internal tooth lockwasher, a second 1/4" flatwasher and then tighten the adjustable knob over the remaining threads.

NOTE: Secure these parts before continuing to the column/base assembly section.

5. Attach pull string to motor speed switch, if desired.

COLUMN/MOTOR TO BASE ASSEMBLY

1. Rest column and motor assembly on the floor next to the base assembly. Tilt base assembly up on end. Pick up lower pipe of column assembly and insert into the mounting flange (**Figure 2**).

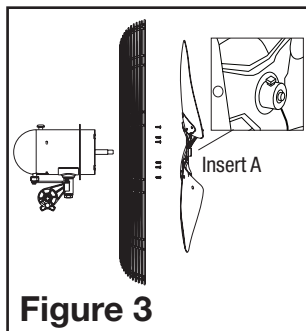


2. Align the back of the motor and the p-clamp on the pipe with the 2 holes in the base.
3. Loosen the set screw to securely place the column assembly into the mounting flange.
4. Tighten the set screw into the mounting flange.

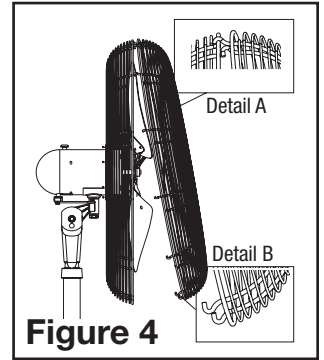
GRILL AND BLADE ASSEMBLY

Locate remaining parts from motor hardware bag to assemble grills and blade to the motor.

1. Install the rear grill onto the motor, lining up the six holes in the grill with the six threaded holes in the motor mounting flange. Install (6) 10-32 x 5/16" hex screws through the rear grill into the mounting flange. Securely tighten all (6) screws (**Figure 3**).
2. Push the fan blade onto the motor shaft, centering the hub facing away from the motor, until it stops against the shaft (**Inset A**). Align square head bolt with flat of the motor shaft. **TIGHTEN VERY SECURELY WITH AN ADJUSTABLE WRENCH.** Failure to securely tighten the bolt could result in damage to the fan and/or personal injury (**Figure 3**).



3. Hold the front grill so that the name, in the center, is right side up and straight across. Starting at the top: fasten front grill to rear grill by sliding the hooked wires on the front grill over the outermost ring on the rear grill (**Figure 4 / Detail A**). The bottom most hooks will require the use of a flathead screwdriver to complete assembly. Stand behind the fan. Slip the flat of the screwdriver between the front and rear grills, next to one of the unfastened hooks (**Figure 4 / Detail B**). Pull screwdriver handle upwards towards the rear grill. Slip the front grill hook over the rear grill outer ring with a push. Repeat procedure with remaining hooks.



CAUTION: BE CAREFUL NOT TO BEND ANY WIRES ON GRILLS OR PINCH YOUR HANDS DURING ASSEMBLY.

4. Fan assembly is now complete. Refer to sections below for correct operating instructions and maintenance.

OPERATING INSTRUCTIONS

CAUTION: FAN MAY START UP WHEN INITIALLY PLUGGED IN.

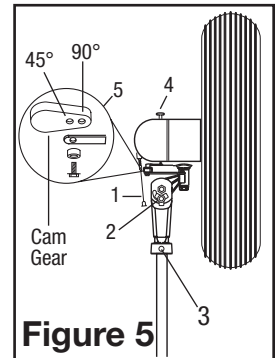
1. **To Operate:** Plug cord into a grounded 120V, 60 Hz outlet. Select desired operating speed with pull cord on the rear of the motor (**Figure 5-1**):

First pull: High Second pull: Medium
Third pull: Low Fourth pull: OFF

CAUTION: THIS FAN IS VERY HEAVY. FAILURE TO SECURELY HOLD ONTO HEAD ASSEMBLY WHILE ADJUSTING HEAD HEIGHT OR HEAD ANGLE COULD RESULT IN PERSONAL INJURY.

2. **To adjust head angle:** While holding the fan head, loosen the adjustable knob (turn counterclockwise). Tilt the fan head to desired position. **FIRMLY** retighten knob (**Figure 5-2**).
3. **To adjust head height:** While holding upper column firmly, loosen set screw on column collar (turn counterclockwise). Raise or lower head to desired position. **FIRMLY** retighten set screw (**Figure 5-3**).
4. **Oscillation:** Push down oscillation knob on motor housing to make fan head move from side to side (**Figure 5-4**).

NOTE: Fan is shipped with 90° oscillation angle, for 45° oscillation angle, connect the oscillation link to the innermost hole in the cam gear (**Figure 8-5**).



MAINTENANCE

WARNING: ALWAYS UNPLUG THE CORD BEFORE MOVING OR SERVICING.

WARNING: DO NOT IMMERSE FAN IN WATER!

CLEANING: Use a soft cloth and mild soap solution such as liquid dish washing detergent. Dry all parts completely before reconnecting to power supply.

CAUTION: DO NOT USE GASOLINE, BENZINE, THINNER, HARSH CLEANERS, ETC. AS THEY WILL DAMAGE THE FAN. NEVER USE ALCOHOL OR SOLVENTS.

LUBRICATION: Precision bearings are sealed at the factory for life and do not require further lubrication.

STORAGE: Store the Fan, with these instructions, in a clean and dry place.

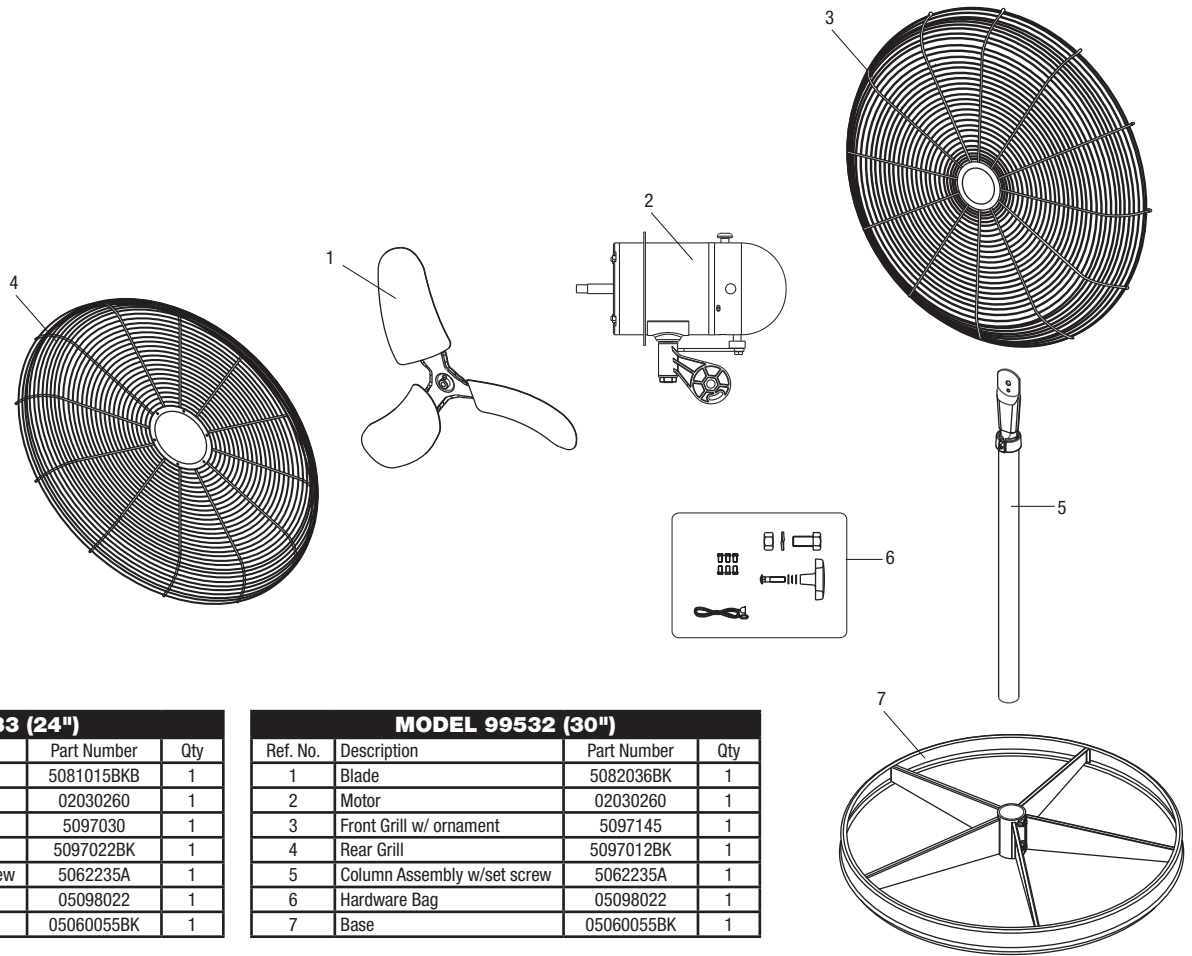
DISPOSITION: Corrugated packaging materials are recyclable. For environmentally responsible disposal of this product, contact your local waste service provider or visit www.1800recycling.com.

CALIFORNIA RESIDENTS ONLY:

WARNING: THIS PRODUCT CAN EXPOSE YOU TO A CHEMICAL [OR CHEMICALS] KNOWN TO THE STATE OF CALIFORNIA TO CAUSE CANCER.

WARNING: THIS PRODUCT CAN EXPOSE YOU TO A CHEMICAL [OR CHEMICALS] KNOWN TO THE STATE OF CALIFORNIA TO CAUSE REPRODUCTIVE TOXICITY.

MODEL 99533, 99532



MODEL 99533 (24")			
Ref. No.	Description	Part Number	Qty
1	Blade	5081015BKB	1
2	Motor	02030260	1
3	Front Grill w/ ornament	5097030	1
4	Rear Grill	5097022BK	1
5	Column Assembly w/set screw	5062235A	1
6	Hardware Bag	05098022	1
7	Base	05060055BK	1

MODEL 99532 (30")			
Ref. No.	Description	Part Number	Qty
1	Blade	5082036BK	1
2	Motor	02030260	1
3	Front Grill w/ ornament	5097145	1
4	Rear Grill	5097012BK	1
5	Column Assembly w/set screw	5062235A	1
6	Hardware Bag	05098022	1
7	Base	05060055BK	1

LIMITED WARRANTY

WHAT THIS WARRANTY COVERS: This product is warranted against defects in workmanship and/or materials.

HOW LONG THIS WARRANTY LASTS: This warranty extends only to the original purchaser of the product and lasts for one (1) year from the date of original purchase or until the original purchaser of the product sells or transfers the product, whichever first occurs.

WHAT AIR KING WILL DO: During the warranty period, Air King will, at its sole option, replace any part or parts that prove to be defective or replace the whole product with the same or comparable model.

WHAT THIS WARRANTY DOES NOT COVER: This warranty does not apply if the product was damaged or failed because of accident, improper handling or operation, shipping damage, abuse, misuse, unauthorized repairs made or attempted. This warranty does not cover shipping costs for the return of products to Air King for replacement. Air King will pay return shipping charges following warranty replacement.

ANY AND ALL WARRANTIES, EXPRESS OR IMPLIED (INCLUDING, WITHOUT LIMITATION, ANY IMPLIED WARRANTY OF MERCHANTABILITY), LAST ONE YEAR FROM THE DATE OF ORIGINAL PURCHASE OR UNTIL THE ORIGINAL PURCHASER OF THE PRODUCT SELLS OR TRANSFERS THE PRODUCT, WHICHEVER FIRST OCCURS AND IN NO EVENT SHALL AIR KING'S LIABILITY UNDER ANY EXPRESS OR IMPLIED WARRANTY INCLUDE (I) INCIDENTAL OR CONSEQUENTIAL DAMAGES FROM ANY CAUSE WHATSOEVER, OR (II) REPLACEMENT OR REPAIR OF ANY HOUSE FUSES, CIRCUIT BREAKERS OR RECEPTACLES. NOTWITHSTANDING ANYTHING TO THE CONTRARY, IN NO EVENT SHALL AIR KING'S LIABILITY UNDER ANY EXPRESS OR IMPLIED WARRANTY EXCEED THE PURCHASE PRICE OF THE PRODUCT AND ANY SUCH LIABILITY SHALL TERMINATE UPON THE EXPIRATION OF THE WARRANTY PERIOD.

Some states and provinces do not allow limitations on how long an implied warranty lasts, or the exclusion or limitation of incidental or consequential damages, so these exclusions or limitations may not apply to you. This warranty gives you specific legal rights. You may also have other rights which vary from state to state and province to province. Proof of purchase is required before a warranty claim will be accepted.

CUSTOMER SERVICE:

Email: producthelp@lasko.com

Web: www.airkinglimited.com

Our Customer Service team is available to assist you. Chat with us at www.airkinglimited.com Monday-Friday 8am - 9pm EST (Valid in U.S. and Canada only). Please have your model number available, as well as the type and style.

Customer Service Dept., 820 Lincoln Ave., West Chester, PA 19380 (Please do not send product to this location)

PARTS FOR DISCONTINUED, OBSOLETE AND CERTAIN OTHER PRODUCTS MAY NOT BE AVAILABLE. DUE TO SAFETY REASONS, MANY ELECTRONIC COMPONENTS AND MOST HEATER COMPONENTS ARE NOT AVAILABLE TO CONSUMERS FOR INSTALLATION OR REPLACEMENT.