



**SPECIFICATIONS**

**R24**  
RELAY

**24 Volt Relay**

• **Description**

24 volt relay for use with Air King FAS series units. Used to energize the FAS unit from a remote 24V signal.

• **Power**

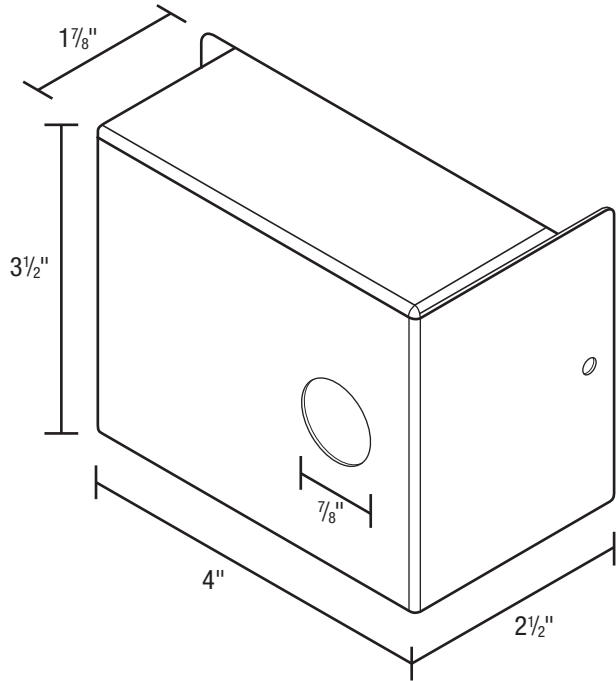
Coil powered by 24V AC, 60 Hz.  
Poles - Single, 110V/15 amp.

• **Mounting**

Mounts directly to FAS series models via mounting hole on side of unit. Included mounting hardware is required to secure the relay to the front of the FAS series unit.

• **Connections**

Includes wire harness for direct plug-in connection to FAS unit.



<b>PROJECT</b>							<b>ARCHITECT</b>		
<b>LOCATION</b>							<b>ENGINEER</b>		
<b>CONTRACTOR</b>							<b>SUBMITTED BY</b>		<b>DATE</b>
FAN NUMBER	MODEL NUMBER	CFM	IN W.C.	RPM	WATTS	AMPS	SONES	QTY	OPTIONAL EQUIPMENT & REMARKS

**U.S.:** 820 Lincoln Avenue  
West Chester, Pennsylvania 19380-4466  
Tel: (610) 692-7400 • 877-304-3785  
Fax: (610) 696-8048

**Canada:**  
Bolton, Ontario  
Tel: 905-456-2033