

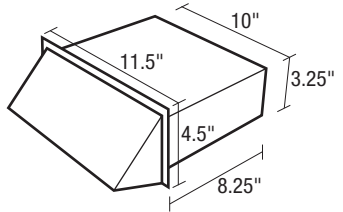


SPECIFICATIONS
WALL CAPS
 ACCESSORIES

WALL CAPS

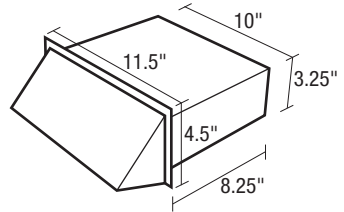
Model WCR10

For 3.25" x 10" duct
 Backdraft damper
 22 gauge, galvanized
 steel construction



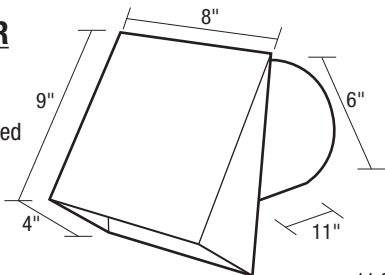
Model WC310B

For 3.25" x 10" duct
 Backdraft damper
 with bird screen
 22 gauge, galvanized
 steel construction



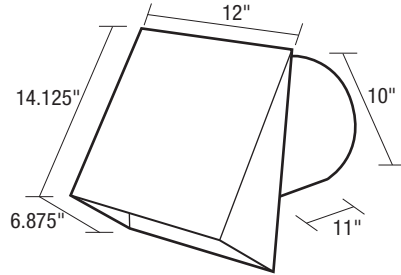
Model PWC6R

Fits 6" round duct
 Backdraft damper
 22 gauge, galvanized
 steel construction



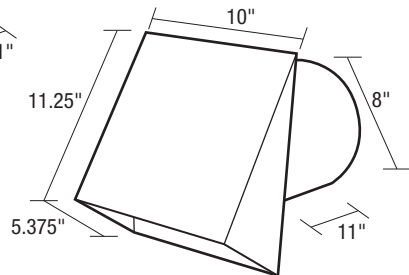
Model PWC10R

Fits 10" round duct
 Backdraft damper
 22 gauge, galvanized
 steel construction



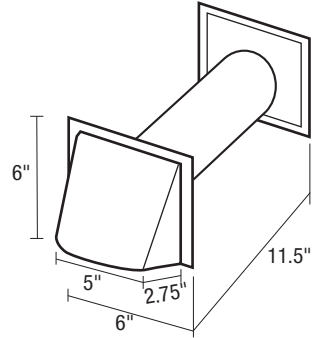
Model PWC8R

Fits 8" round duct
 Backdraft damper
 22 gauge, galvanized
 steel construction



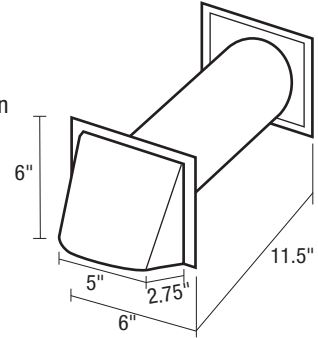
Model WC3NS

Fits 3" round duct
 Backdraft damper
 Aluminum construction



Model WC4NS

Fits 4" round duct
 Backdraft damper
 Aluminum construction



PROJECT							ARCHITECT		
LOCATION							ENGINEER		
CONTRACTOR							SUBMITTED BY		DATE
FAN NUMBER	MODEL NUMBER	CFM	IN W.C.	RPM	WATTS	AMPS	SONES	QTY	OPTIONAL EQUIPMENT & REMARKS

Air King: 820 Lincoln Avenue
 West Chester, Pennsylvania 19380-4466
 Tel: (610) 692-7400 • 877-304-3785
 Fax: (610) 696-8048

Specifications subject to change without notice.

Updated 3-16