



SPECIFICATIONS

**AS70**

EXHAUST FAN



**70 CFM/5.5 Sones @ 0.10" SP.**

• **Grill**

White, polymeric grill secured in place with torsion springs; easily removed if necessary, dimensions - 10" x 9 1/2".

• **Blower Wheel**

One piece polymeric wheel, 4 1/2" diameter, 1" wide, with 10 fins.

• **Motor**

Single coil plug-in, two pole motor, life time lubrication, thermally protected. Rated 120 volts, 60 hz. Rated for continuous use.

• **Fan Housing**

23 gauge galvanized metal housing, dimensions 7 1/4" x 7 1/4" x 3 3/4", double metal thickness mounting tabs.

• **Duct Collar**

Plastic collar for 3" duct connection, comes complete with built in non-metallic back draft damper for quiet operation.

• **Ventilating Area**

For bathrooms up to 70 sq. ft. for other rooms up to 85 sq. ft.

• **Unit Mounting**

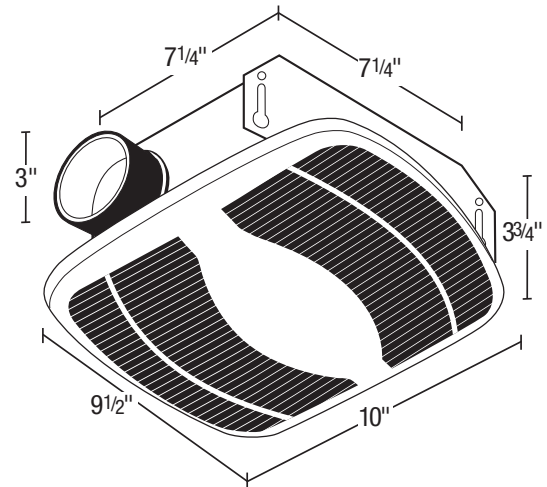
Designed to mount in ceilings or walls with at least 4" of clearance. The housing will mount through drywall thickness up to 3/4", with a rough-in opening of 7 3/8" x 7 3/8".

• **Single Pack Shipping Info**

Box Dim: 11" x 10 3/8" x 4 3/4"

UPC: 0-8316227311-6

Shipping Weight: 3.6 lbs.



Acceptable for use over tub or shower when installed in a GFCI protected branch circuit.

**EXPANDED PERFORMANCE**

	Static Pressure (inches of w.g.)							Sones @ .1 SP	Fan Speed RPM	Maximum Fan Watts	Amps
	0	0.1	0.125	0.15	0.2	0.25	0.3				
<b>Air Flow - CFM</b>	75	70	69	67	65	62	59	5.5	2175	50	0.9

<b>PROJECT</b>							<b>ARCHITECT</b>				
<b>LOCATION</b>							<b>ENGINEER</b>				
<b>CONTRACTOR</b>							<b>SUBMITTED BY</b>			<b>DATE</b>	
FAN NUMBER	MODEL NUMBER	CFM	IN W.G.	RPM	WATTS	AMPS	SONES	QTY	OPTIONAL EQUIPMENT & REMARKS		



**U.S.:** 820 Lincoln Avenue  
West Chester, Pennsylvania 19380-4466  
Tel: (610) 692-7400 • 877-304-3785  
Fax: (610) 696-8048

**Canada:**  
Bolton, Ontario  
Tel: 905-456-2033