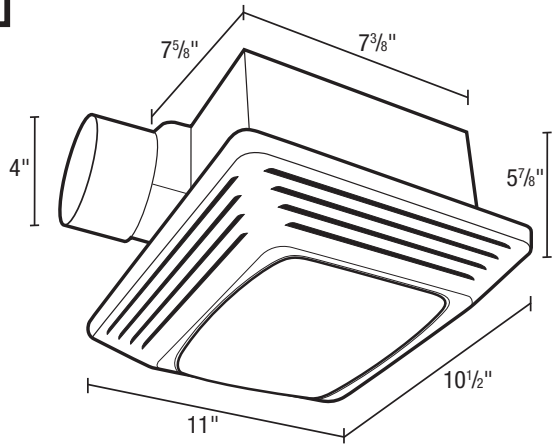




SPECIFICATIONS
ASLC50
 EXHAUST FAN WITH LIGHT

HVI 2100 CERTIFIED **50 CFM/3.0 Sones @ 0.10" SP.**

- **Grill**
White, polymeric grill secured in place via screw mounting through the light housing, dimensions - 11" x 10 1/2".
- **Light Lens**
High impact polycarbonate lens, secured in position using integral tabs: easily removed if necessary.
- **Light Housing**
Heavy gauge cold rolled steel c/w baked enamel finish; locks in place on the grill via two integral tabs.
- **Blower Wheel**
One piece polymeric wheel, 4 1/2" diameter, 1" wide, with 10 fins.
- **Motor**
PSC, plug-in, 4 pole motor, life time lubrication, thermally protected. Rated 120 volts, 60 hz..
- **Fan Housing**
23 ga. Galvanized metal housing, dimensions 7 3/8" x 7 3/8" x 5 7/8", double metal thickness mounting tabs.
- **Duct Collar**
Plastic collar for 4" duct connection, comes complete with built in non-metallic back draft damper for quiet operation.
- **Ventilating Area**
For bathrooms up to 50 sq. ft. for other rooms up to 60 sq. ft.
- **Lighting**
Utilizes a medium base screw in type lamp (lamp not included). Accepts up to a 15W LED, 26W CFL or 100W Incandescent type A19 lamp.



Acceptable for use over tub or shower when installed in a GFCI protected branch circuit.

- **Unit Mounting**
Rated Type IC for ceilings insulated to R-40. Designed to mount in ceilings with at least 6" of clearance. The unit will mount using the supplied mounting bars with a rough in opening of 7 1/2" x 7 3/4". The housing will mount through drywall thickness up to 3/4".
- **Single Pack Shipping Info**
Box Dim: 11 1/2" x 13 1/4" x 9 1/2"
Shipping Weight: 6 lbs.

EXPANDED PERFORMANCE											
	Static Pressure (inches of w.g.)							Sones @ .1 SP	Fan Speed RPM	Maximum Fan Watts	Amps
	0	0.05	0.1	0.125	0.15	0.2	0.25				
Air Flow - CFM	55	53	50	49	47	44	39	3.0	2125	48	1.4

PROJECT					ARCHITECT						
LOCATION					ENGINEER						
CONTRACTOR					SUBMITTED BY					DATE	
FAN NUMBER	MODEL NUMBER	CFM	IN W.G.	RPM	WATTS	AMPS	SONES	QTY	OPTIONAL EQUIPMENT & REMARKS		



U.S.: 820 Lincoln Avenue
 West Chester, Pennsylvania 19380-4466
 Tel: (610) 692-7400 • 877-304-3785
 Fax: (610) 696-8048

Canada:
 Bolton, Ontario
 Tel: 905-456-2033