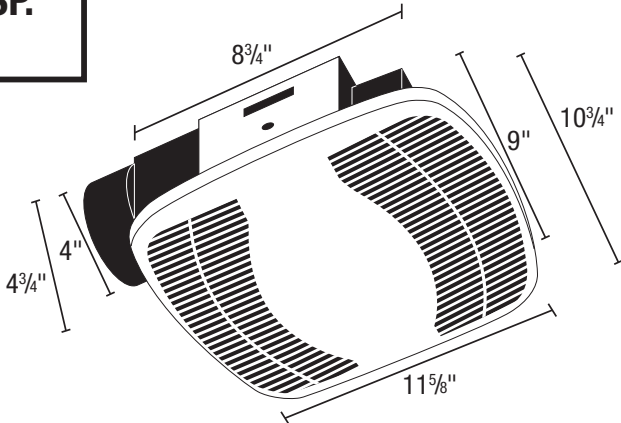




SPECIFICATIONS  
**BFQ50**  
 EXHAUST FANS

**2100 HVI CERTIFIED** 50 CFM/0.6 Sones @ 0.10" SP.  
 36 CFM @ 0.25" SP.



- **Grill**  
 White, polymeric grill secured in place with torsion springs; easily removed if necessary, dimensions - 10<sup>3</sup>/<sub>4</sub>" x 11<sup>5</sup>/<sub>8</sub>".
- **Blower Wheel**  
 One piece polymeric wheel 5<sup>1</sup>/<sub>8</sub>" diameter, 2<sup>3</sup>/<sub>8</sub>" wide, with 48 fins.
- **Motor**  
 Heavy duty, permanently split capacitor, plug-in, 4 pole motor, life time lubrication, thermally protected, suitable for continuous operation. Rated 120 volts, 60 hz.
- **Fan Housing**  
 PC/ABS polymeric, dimensions 8<sup>3</sup>/<sub>4</sub>" x 9" x 4<sup>3</sup>/<sub>4</sub>".
- **Duct Collar**  
 Plastic collar for 4" duct connection, comes complete with built in non-metallic back draft damper for quiet operation.
- **Ventilating Area**  
 For bathrooms up to 50 sq. ft. For other rooms up to 60 sq. ft.
- **Single Pack Shipping Info**  
 Box Dim: 11<sup>1</sup>/<sub>8</sub>" x 12" x 6<sup>3</sup>/<sub>8</sub>"  
 UPC: 0-8316290304-4  
 Shipping Weight: 5<sup>1</sup>/<sub>4</sub> lbs.

Acceptable for use over tub or shower when installed in a GFCI protected branch circuit.



- **Unit Mounting**  
 Designed to mount in ceilings with at least 6" of clearance. The unit is mounted directly to the joist using a separate lock-in bracket (included with unit). The housing will mount through drywall thickness up to <sup>3</sup>/<sub>4</sub>", with a rough-in opening of 8<sup>7</sup>/<sub>8</sub>" x 9<sup>1</sup>/<sub>8</sub>".

**EXPANDED PERFORMANCE**

	Static Pressure (inches of w.g.)							Sones @ .1 SP	Fan Speed RPM	Maximum Fan Watts	Amps
	0	0.05	0.1	0.125	0.15	0.2	0.25				
<b>Air Flow - CFM</b>	56	53	50	48	47	42	36	0.6	1225	17.4	0.45

<b>PROJECT</b>	<b>ARCHITECT</b>
<b>LOCATION</b>	<b>ENGINEER</b>
<b>CONTRACTOR</b>	<b>SUBMITTED BY</b>
	<b>DATE</b>

FAN NUMBER	MODEL NUMBER	CFM	IN W.C.	RPM	WATTS	AMPS	SONES	QTY	OPTIONAL EQUIPMENT & REMARKS



**U.S.:** 820 Lincoln Avenue  
 West Chester, Pennsylvania 19380-4466  
 Tel: (610) 692-7400 • 877-304-3785  
 Fax: (610) 696-8048

**Canada:**  
 Bolton, Ontario  
 Tel: 905-456-2033