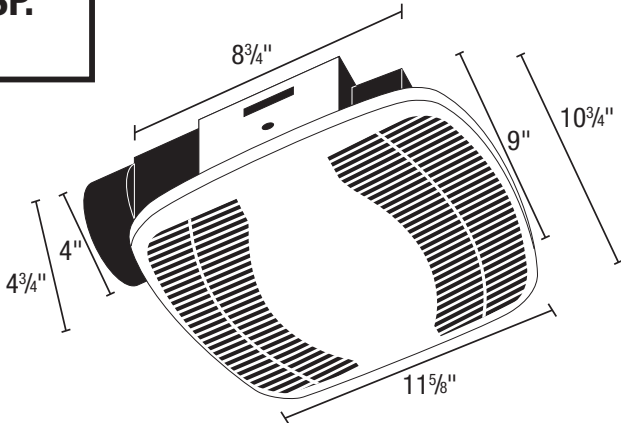




SPECIFICATIONS
BFQ80
EXHAUST FANS

2100 HVI CERTIFIED **80 CFM/2.0 Sones @ 0.10" SP.**
66 CFM @ 0.25" SP.



- **Grill**
White, polymeric grill secured in place with torsion springs; easily removed if necessary, dimensions - 10³/₄" x 11⁵/₈".
- **Blower Wheel**
One piece polymeric wheel 5¹/₈" diameter, 2³/₈" wide, with 48 fins.
- **Motor**
Heavy duty, permanently split capacitor, plug-in, 4 pole motor, life time lubrication, thermally protected, suitable for continuous operation. Rated 120 volts, 60 hz.
- **Fan Housing**
PC/ABS polymeric, dimensions 8³/₄" x 9" x 4³/₄".
- **Duct Collar**
Plastic collar for 4" duct connection, comes complete with built in non-metallic back draft damper for quiet operation.
- **Ventilating Area**
For bathrooms up to 80 sq. ft. For other rooms up to 100 sq. ft.
- **Single Pack Shipping Info**
Box Dim: 11¹/₈" x 12" x 6³/₈"
UPC: 0-8316290302-0
Shipping Weight: 5¹/₄ lbs.

Acceptable for use over tub or shower when installed in a GFCI protected branch circuit.



- **Unit Mounting**
Designed to mount in ceilings with at least 6" of clearance. The unit is mounted directly to the joist using a separate lock-in bracket (included with unit). The housing will mount through drywall thickness up to 3/4", with a rough-in opening of 8⁷/₈" x 9¹/₈".

EXPANDED PERFORMANCE

	Static Pressure (inches of w.g.)							Sones @ .1 SP	Fan Speed RPM	Maximum Fan Watts	Amps
	0	0.05	0.1	0.125	0.15	0.2	0.25				
Air Flow - CFM	87	84	80	78	75	69	66	2.0	1347	29.0	0.45

PROJECT	ARCHITECT
LOCATION	ENGINEER
CONTRACTOR	SUBMITTED BY
	DATE

FAN NUMBER	MODEL NUMBER	CFM	IN W.C.	RPM	WATTS	AMPS	SONES	QTY	OPTIONAL EQUIPMENT & REMARKS



U.S.: 820 Lincoln Avenue
West Chester, Pennsylvania 19380-4466
Tel: (610) 692-7400 • 877-304-3785
Fax: (610) 696-8048

Canada:
Bolton, Ontario
Tel: 905-456-2033