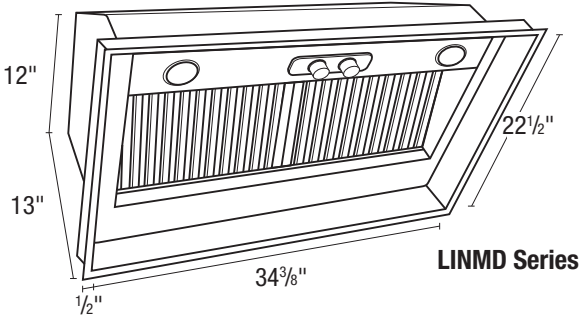
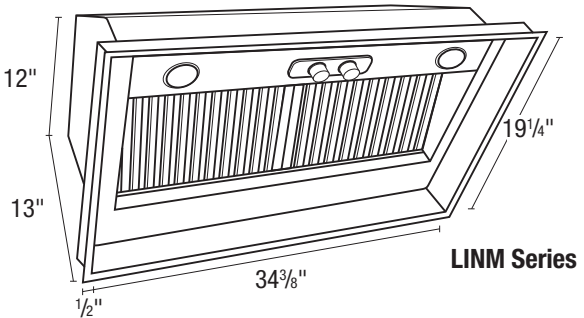




SPECIFICATIONS
LIN34M
 POWER UNIT LINER

LIN34m-400 CFM/8.0 Sones @ 0.10" SP. LIN34m-600 CFM/5.5 Sones @ 0.10" SP. LIN34m-900 CFM/11.0 Sones @ 0.10" SP. LIN34m-1200 CFM/15.0 Sones @ 0.10" SP.	LIN34md-400 CFM/8.0 Sones @ 0.10" SP. LIN34md-600 CFM/5.5 Sones @ 0.10" SP. LIN34md-900 CFM/11.0 Sones @ 0.10" SP. LIN34md-1200 CFM/15.0 Sones @ 0.10" SP.
---	---

- **Hood**
Galvanized metal body with all exposed areas grade 430 stainless steel. Approved for installation into covered outdoor kitchen areas.
- **Thermostat (600, 900, 1200 CFM models only)**
Thermostat detects when the heat level rises to an excessive amount and automatically turns the hood on.
- **Blower Wheel**
3 speed motor with electronically balanced polymeric centrifugal blower wheel. Rated 120 volts, 60 hz.
- **Lighting**
2 - ENERGY STAR® certified PAR20, E26 screw-in base, 7 watt, 500 lumens LED lamps (included).
- **Ducting Options**
Vertical outlet only. Vertical or Horizontal ducting transition achieved through vertical (included) or horizontal (optional) outlet adapter specified for size of motor.
- **Filters**
Grease Baffles: Dishwasher safe, Stainless Steel baffles (included).
- **Available Finishes**
Brushed Stainless Steel - #4 finish
- **Opening Size**
LIN34m: 34³/₈" x 19¹/₄" (Fits cabinets 36" wide)
LIN34md: 34³/₈" x 22¹/₄" (Fits cabinets 36" wide)



NOTE: 1/2" wide trim flange around the entire perimeter of the face plate

EXPANDED PERFORMANCE										
Air Flow - CFM	Static Pressure (inches of w.g.)						Sones @ .1 SP	Fan Speed RPM	Blower Watts	Full Load Amps
	0	0.1	0.15	0.25	0.3	0.375				
400 CFM Blower	425	400	387	358	340	308	8.0	1711	214	3.6
600 CFM Blower	638	600	581	537	510	458	5.5	1492	164	1.8
900 CFM Blower	918	900	892	874	865	852	11.0	2051	604	5.7
1200 CFM Blower	1222	1200	1189	1168	1158	1142	15.0	2617	945	7.2

PROJECT							ARCHITECT			
LOCATION							ENGINEER			
CONTRACTOR							SUBMITTED BY			DATE
FAN NUMBER	MODEL NUMBER	CFM	IN W.C.	RPM	WATTS	AMPS	SONES	QTY	OPTIONAL EQUIPMENT & REMARKS	



Air King: 820 Lincoln Avenue
 West Chester, Pennsylvania 19380-4466
 Tel: (610) 692-7400 • 877-304-3785
 Fax: (610) 696-8048

Canada:
 Bolton, Ontario
 Tel: 905-456-2033