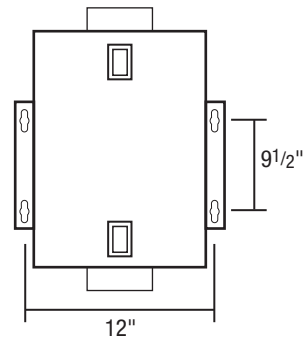
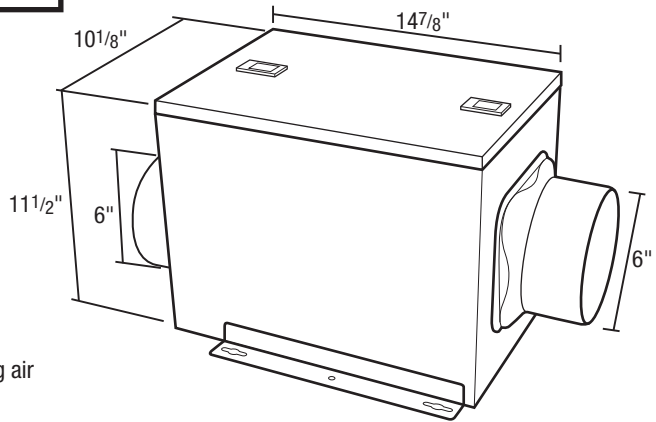




SPECIFICATIONS
QFAMD
 FRESH AIR SUPPLY FAN

HVI 2100 CERTIFIED
130 CFM @ 0.20" SP., 26.0 Watts
80 CFM @ 0.20" SP., 12.8 Watts
30 CFM @ 0.20" SP., 7.8 Watts

- **Blower Wheel**
Balanced polymeric dual inlet blower wheel secured in place using a hex nut.
- **Adjustable Capacity Motor**
Variable capacity settings allow the fan to be set from 30 to 130 CFM
4 pole ECM motor, permanently lubricated, thermally protected
115/120V 60 Hz., 0.30 amps.
Fan Efficacy: 5.4 CFM/Watt at 130 CFM, 0.2" SP.
Static Pressure Range: Up to 0.4" SP.
- **Controller**
Unit mounted controller monitors temperature and humidity of incoming air and allows installer to configure optimal ventilation.
- **Fan Housing**
Insulated 26 gauge baked epoxy housing. Overall dimensions:
14⁷/₈"H x 11¹/₂"D x 10¹/₈"W.
- **Duct Collars**
6" round, zinc plated metal collar adapters.
- **Electrical Connections**
0.5" electrical access. Easy wiring access via external wiring compartment cover or internal access plate.
- **Unit Mounting**
Designed to surface mount to a wall or ceiling with the included mounting brackets. Can be mounted onto joists, studs or the housing mounting brackets can be adapted for overhead mounting (hardware not provided).
- **Optional Air Filter**
An optional 10" x 10" x 2" air filter can be added to the unit (not included).
- **Test Port**
Allows easy air flow measurement with Pitot tube or similar device.
- **Single Pack Shipping Info**
Box Dim: 23" x 15⁷/₈" x 12³/₄"
Shipping Weight: 18.0 lbs.



PROJECT							ARCHITECT			
LOCATION							ENGINEER			
CONTRACTOR							SUBMITTED BY		DATE	
FAN NUMBER	MODEL NUMBER	CFM	IN W.G.	RPM	WATTS	AMPS	SONES	QTY	OPTIONAL EQUIPMENT & REMARKS	



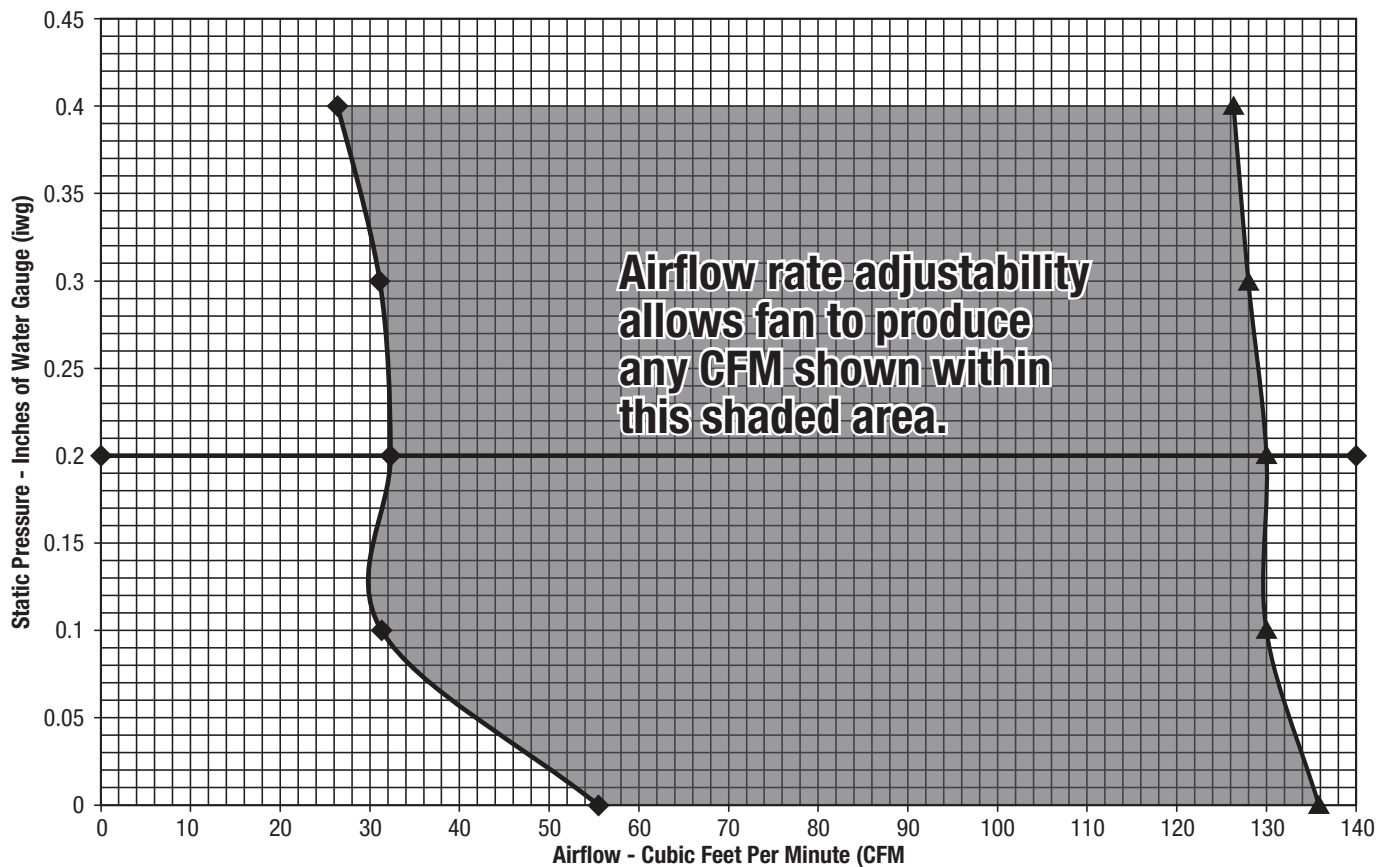
U.S.: 820 Lincoln Avenue
 West Chester, Pennsylvania 19380-4466
 Tel: (610) 692-7400 • 877-304-3785
 Fax: (610) 696-8048

Canada:
 Brampton, Ontario
 Tel: 905-456-2033
 Fax: (905) 456-1015



SPECIFICATIONS
QFAMD
FRESH AIR SUPPLY FAN

Model QFAMD Fan Curve



U.S.: 820 Lincoln Avenue
West Chester, Pennsylvania 19380-4466
Tel: (610) 692-7400 • 877-304-3785
Fax: (610) 696-8048

Canada:
Brampton, Ontario
Tel: 905-456-2033
Fax: (905) 456-1015