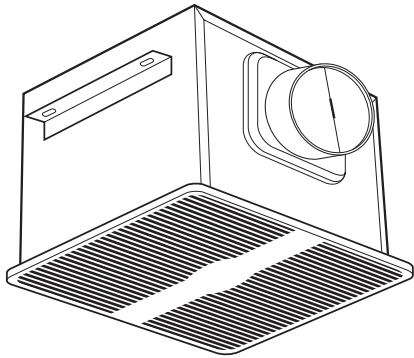




SPECIFICATIONS
AKA150
 EXHAUST FAN

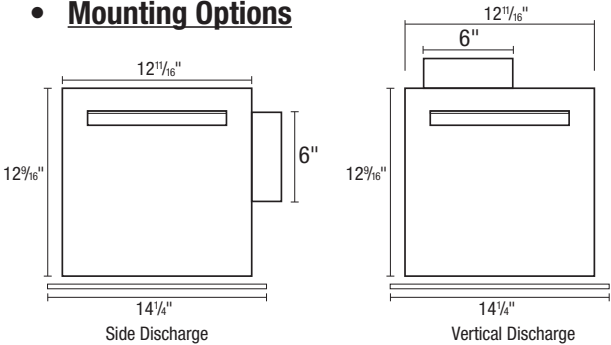
150 CFM/0.4 Sones @ 0.10" SP.
117 CFM @ 0.25" SP.

- **Grill**
 White, polymeric grill secured in place with torsion springs; easily removed if necessary, dimensions - 14¹/₄" x 14¹/₄".
- **Blower Wheel**
 Balanced polymeric dual inlet blower wheel secured in place using a hex nut.
- **Motor**
 Enclosed 4 pole high efficiency, permanently split capacitor motor (PSC); life time lubrication, suitable for continuous operation. Motor bearings - sleeve. Rated 115/120 volts, 60 Hz.
- **Fan Housing**
 23 gauge galvanized steel housing with 1" thermal & acoustical insulation. Overall dimensions: 12¹/₁₆"W x 13¹/₁₆"D x 12⁹/₁₆"H.
- **Duct Collar**
 6" round, zinc plated metal collar adapter. Gasketed, spring loaded aluminum backdraft damper.
- **Electrical Connections**
 0.5" electrical knockouts provided. Easy wiring access via either internal or external wiring compartment cover.
- **Single Pack Shipping Info**
 Shipping Weight: 17 lbs.



- **Unit Mounting**
 2 supplied housing mounting angles. The housing mounting angles can be adapted for inline or top discharge mounting (hardware not provided).

• **Mounting Options**



EXPANDED PERFORMANCE											
	Static Pressure (inches of w.g.)							Sones @ 0.1 SP	Fan Speed RPM	Maximum Fan Watts	Amps
	0	0.1	0.125	0.2	0.25	0.375	0.5				
Air Flow - CFM	167	150	145	128	117	82	-	0.4	839	36.0	0.3

PROJECT							ARCHITECT				
LOCATION							ENGINEER				
CONTRACTOR							SUBMITTED BY			DATE	
FAN NUMBER	MODEL NUMBER	CFM	IN W.G.	RPM	WATTS	AMPS	SONES	QTY	OPTIONAL EQUIPMENT & REMARKS		



Air King: 820 Lincoln Avenue
 West Chester, Pennsylvania 19380-4466
 Tel: (610) 692-7400 • 877-304-3785
 Fax: (610) 696-8048

Canada:
 Brampton, Ontario
 Tel: 905-456-2033
 Fax: (905) 456-1015