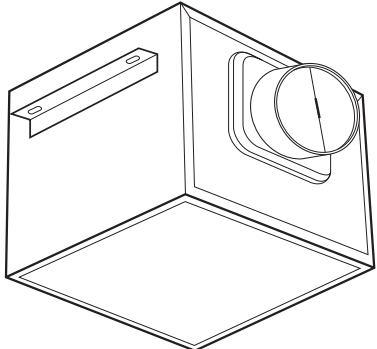




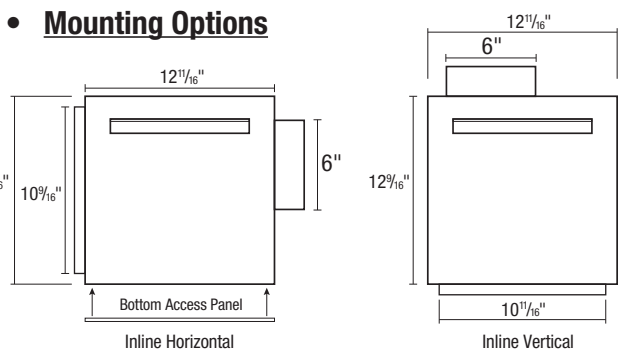
SPECIFICATIONS  
**AKZA290**  
 INLINE FAN

**HVI**  
 CERTIFIED  
 270 CFM @ 0.20" SP.

- **Blower Wheel**  
 Balanced polymeric dual inlet blower wheel secured in place using a hex nut.
- **Motor**  
 Enclosed 4 pole high efficiency, permanently split capacitor motor (PSC); life time lubrication, suitable for continuous operation. Motor bearings - sleeve. Rated 115/120 volts, 60 Hz.
- **Fan Housing**  
 23 gauge galvanized steel housing with 1" thermal & acoustical insulation and a removable bottom access panel for servicing. Overall dimensions: 12<sup>11</sup>/<sub>16</sub>" W x 13<sup>1</sup>/<sub>16</sub>" D x 12<sup>9</sup>/<sub>16</sub>" H.
- **Duct Collar**  
 6" round, zinc plated metal collar adapter. Gasketed, spring loaded aluminum backdraft damper.
- **Electrical Connections**  
 0.5" electrical knockouts provided. Easy wiring access via either internal or external wiring compartment cover.
- **Single Pack Shipping Info**  
 Shipping Weight: 17 lbs.



- **Unit Mounting**  
 2 supplied housing mounting angles. The housing mounting angles can be adapted for inline or top discharge mounting (hardware not provided).



EXPANDED PERFORMANCE										
	Static Pressure (inches of w.g.)							Fan Speed RPM	Maximum Fan Watts	Amps
	0	0.1	0.125	0.2	0.25	0.375	0.5			
<b>Air Flow - CFM</b>	288	280	278	270	264	242	202	1166	72.0	0.7

<b>PROJECT</b>	<b>ARCHITECT</b>
<b>LOCATION</b>	<b>ENGINEER</b>
<b>CONTRACTOR</b>	<b>SUBMITTED BY</b>
	<b>DATE</b>

FAN NUMBER	MODEL NUMBER	CFM	IN W.G.	RPM	WATTS	AMPS	SONES	QTY	OPTIONAL EQUIPMENT & REMARKS



**Air King:** 820 Lincoln Avenue  
 West Chester, Pennsylvania 19380-4466  
 Tel: (610) 692-7400 • 877-304-3785  
 Fax: (610) 696-8048

**Canada:**  
 Brampton, Ontario  
 Tel: 905-456-2033  
 Fax: (905) 456-1015