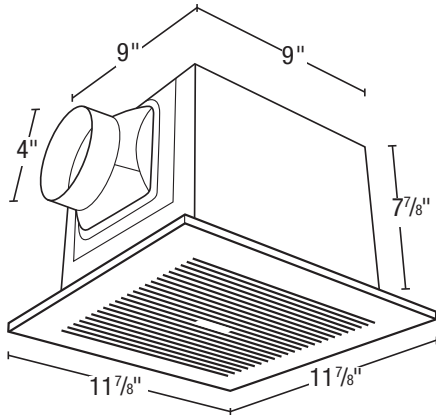




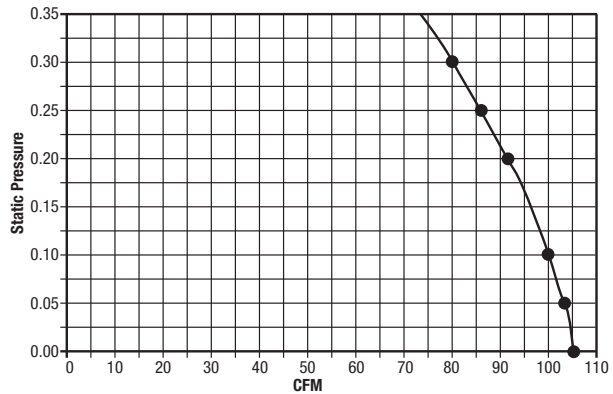
SPECIFICATIONS
BFC100
EXHAUST FAN

2100 HVI CERTIFIED **100 CFM/1.0 Sones @ 0.10" SP.**
85 CFM @ 0.25 SP.



- **Grill**
White, polymeric grill secured in place with torsion springs; easily removed if necessary, dimensions - 11⁷/₈" x 11⁷/₈".
- **Blower Wheel**
One piece polymeric centrifugal blower wheel, 5⁷/₃₂" diameter, 4¹/₈" wide, with 36 paddles.
- **Motor**
Heavy duty, permanently split capacitor, plug-in, 4 pole motor, life time lubrication, suitable for continuous operation. Rated 120 volts, 60 hz.
- **Fan Housing**
23 gauge painted metal housing. Dimensions: 9" x 9" x 7⁷/₈".
- **Duct Collar**
Metal collar for 4" duct connection, comes complete with built in back draft damper.
- **Ventilating Area**
For bathrooms up to 100 sq. ft. For other rooms up to 125 sq. ft.
- **Electrical Connections**
3/4" electrical access.
- **Unit Mounting**
The housing will mount in ceilings with at least 8" of clearance and through drywall thickness up to 3/4", with a rough-in opening of 9¹/₈" x 9¹/₈". The housing will mount either between 16" or 24" on center joists, using the 4 supplied housing mounting rails. The housing mounting rails can be adapted for overhead mounting (hardware not provided).
- **Single Pack Shipping Info**
Box Dim: 13" x 12³/₈" x 9³/₄"
Shipping Weight: 9.2 lbs.

Acceptable for use over tub or shower when installed in a GFCI protected branch circuit.



EXPANDED PERFORMANCE											
	Static Pressure (inches of w.g.)							Sones @ .1 SP	Fan Speed RPM	Maximum Fan Watts	Amps
	0	0.05	0.1	0.2	0.25	0.3	0.375				
Air Flow - CFM	106	104	100	92	86	80	68	1.0	912	22.3	0.19

PROJECT					ARCHITECT						
LOCATION					ENGINEER						
CONTRACTOR					SUBMITTED BY					DATE	
FAN NUMBER	MODEL NUMBER	CFM	IN W.G.	RPM	WATTS	AMPS	SONES	QTY	OPTIONAL EQUIPMENT & REMARKS		



U.S.: 820 Lincoln Avenue
West Chester, Pennsylvania 19380-4466
Tel: (610) 692-7400 • 877-304-3785
Fax: (610) 696-8048

Canada:
Brampton, Ontario
Tel: 905-456-2033
Fax: (905) 456-1015