

IMPORTANT INSTRUCTIONS - OPERATING MANUAL

Model: EWF-180



Through the Wall Exhaust Fan



READ AND SAVE THESE INSTRUCTIONS

READ CAREFULLY BEFORE ATTEMPTING TO ASSEMBLE, INSTALL, OPERATE OR MAINTAIN THE PRODUCT DESCRIBED. PROTECT YOURSELF AND OTHERS BY OBSERVING ALL SAFETY INFORMATION. FAILURE TO COMPLY WITH INSTRUCTIONS COULD RESULT IN PERSONAL INJURY AND/OR PROPERTY DAMAGE!



RETAIN INSTRUCTIONS FOR FUTURE REFERENCE.

GENERAL SAFETY INFORMATION

When using electrical appliances, basic precautions should always be followed to reduce the risk of fire, electric shock and injury to person, including the following:



WARNING: TO REDUCE THE RISK OF FIRE, ELECTRIC SHOCK AND INJURY TO PERSON, OBSERVE THE FOLLOWING:

- a) Use this unit only in the manner intended by the manufacturer. If you have questions, contact the manufacturer.
- b) Before servicing or cleaning the unit, switch power off at service panel and lock the service disconnecting means to prevent power from being switched on accidentally. When the service disconnecting means cannot be locked, securely fasten a prominent warning device, such as a tag, to the service panel.



WARNING: TO REDUCE THE RISK OF FIRE, ELECTRIC SHOCK AND INJURY TO PERSON, OBSERVE THE FOLLOWING:

- a) Installation work and electrical wiring must be done by qualified person(s) in accordance with all applicable codes and standards, including fire-related construction.
- b) Sufficient air is needed for proper combustion and exhausting of gases through the flue (chimney) of fuel burning equipment to prevent back drafting. Follow the heating equipment manufacturer's guideline and safety standards such as those published by the National Fire Protection Association (NFPA) and the American Society for Heating, Refrigeration, and Air Conditioning Engineers (ASHRAE), and the local code authorities.
- c) When cutting or drilling into wall or ceiling, do not damage electrical wiring and other hidden utilities.



CAUTION: FOR GENERAL VENTILATING USE ONLY. DO NOT USE TO EXHAUST HAZARDOUS OR EXPLOSIVE MATERIALS AND VAPORS.

- d) Ducted fans must always be vented to the outdoors.
- e) This unit must be grounded.
- f) To avoid motor bearing damage and noisy and/or unbalanced impellers, keep drywall spray, construction dust, etc. off power unit.
- g) Read all instructions before installing or using exhaust fan.



WARNING: TO REDUCE THE RISK OF FIRE, ELECTRIC SHOCK, DO NOT USE THIS FAN WITH ANY SOLID-STATE SPEED CONTROL DEVICE.

- a) If this unit is to be installed over a tub or shower, it must be marked as appropriate for the application and be connected to a GFCI (Ground Fault Circuit Interrupter) – protected branch circuit.



WARNING: DO NOT USE IN KITCHENS.

SAVE THESE INSTRUCTIONS

INSTALLATION INSTRUCTIONS



CAUTION: MAKE SURE POWER IS SWITCHED OFF AT SERVICE PANEL BEFORE STARTING INSTALLATION.

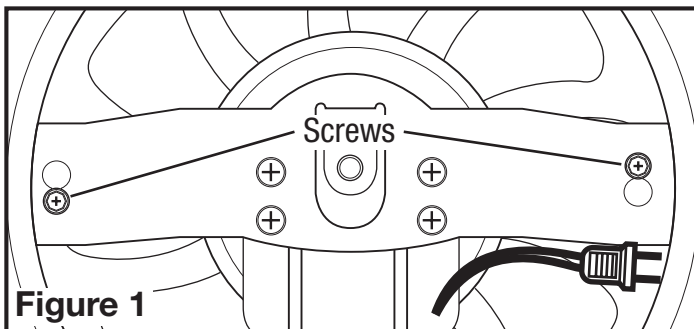
SECTION 1

Preparing the Exhaust Fan

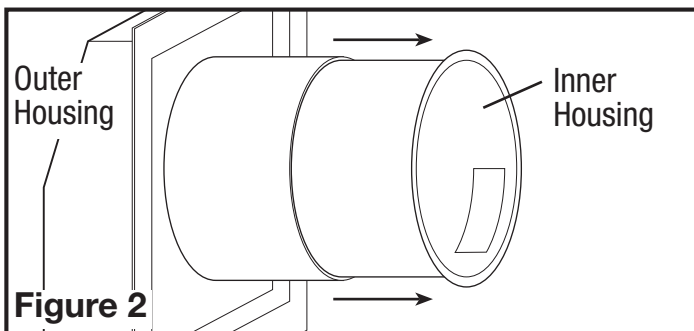
1. Unpack from carton and confirm that all pieces are present. You should have:
 - 1 - Grill
 - 1 - Grill Knob
 - 1 - Wiring Compartment and screws
 - 1 - Motor
 - 1 - Housing
 - 1 - Instruction/Safety Sheet

NOTE: This fan is designed to mount between exterior walls 4-1/2" to 9-1/2" in thickness.

2. Remove the motor bracket assembly from the fan housing by loosening the two screws which secure the bracket in place (**Figure 1**).



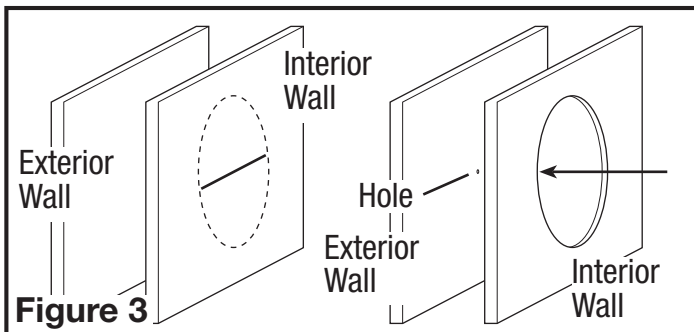
3. Slide the inner housing out from the outer housing and set aside in a safe place (**Figure 2**).



SECTION 2

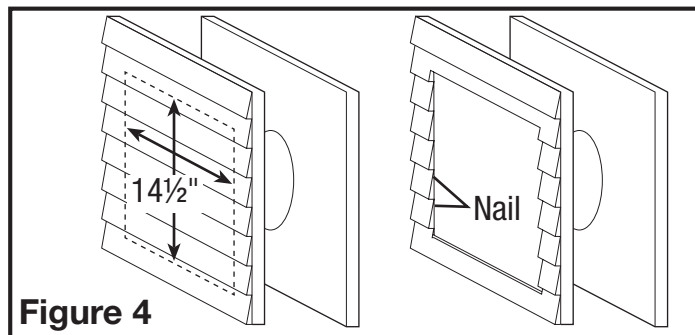
Mounting the Housing

1. From inside the house, choose the best location to mount the housing on an exterior wall. Make sure to locate the housing where there are no studs, electrical/mechanical utilities, or any other obstructions.
2. Once you have selected the best location from inside the house, transfer the location to the exterior of the house and confirm that there are no obstructions in the location and the fan has proper clearance to operate.
3. Once the installation location has been confirmed, cut a 8-1/4" diameter hole in the interior wall where the fan is to be located (**Figure 3**).



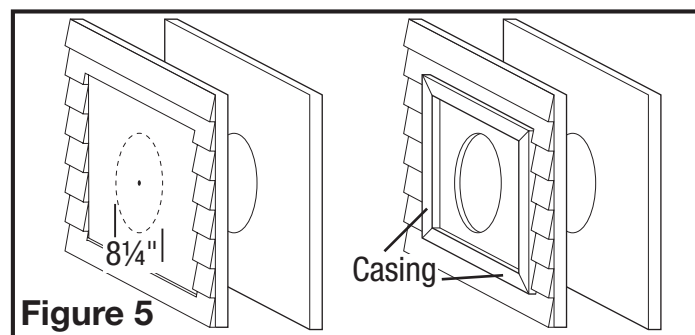
4. Drill a small hole through to the outside in the center of the 8-1/4" diameter hole, so you can properly locate the exterior housing (**Figure 3**).

5. On the siding of the outside wall, layout a 14-1/2" x 14-1/2" square using the small hole drilled in Step 4 as the center point and cut out the square hole (**Figure 4**).



CAUTION: ONLY CUT THE EXTERIOR WALL SIDING. DO NOT CUT INTO THE SHEATHING (PLYWOOD) UNDERNEATH.

6. Once the siding is cut, nail down all the loose ends of the siding (**Figure 4**).
7. In the center of the 14-1/2" square cut in step 5, mark and cut a 8-1/4" diameter hole through the wall sheathing (**Figure 5**).

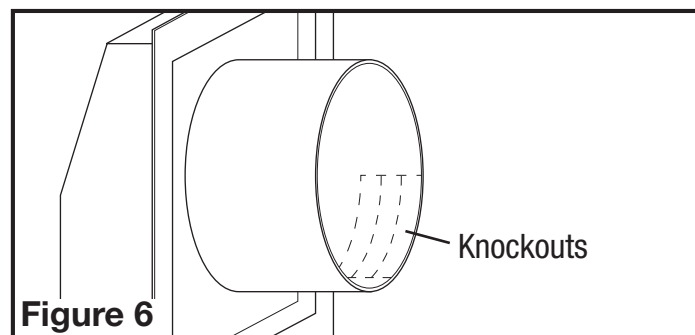


8. Install 1" x 2" casing strips (not included) for support on the edges of the 14-1/2" square hole. Secure casing strips to plywood sheathing with screws or nails (not included) and seal where the strips meet the plywood with caulk (**Figure 5**).

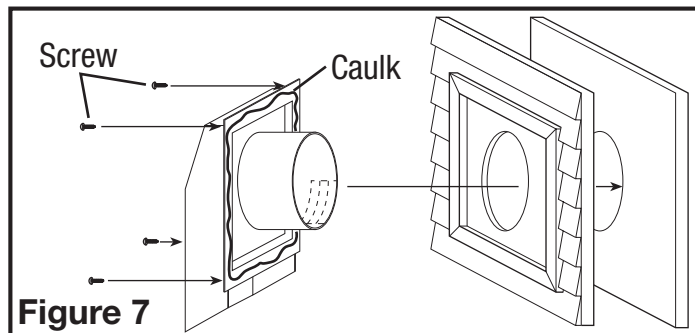


CAUTION: IF SHEATHING IS NOT PLYWOOD, YOU WILL HAVE TO ADD ADDITIONAL SUPPORT FOR THE INSTALLATION.

9. If the wall is less than 8" thick, remove one or more of the electrical compartment clearance knockouts located on the housing (**Figure 6**).



10. On the interior flange of the housing, apply a generous amount of caulking and install the housing through the hole and onto the casing strips and secure in place using screws or nails (not included) through the predrilled holes on the four corners of the housing. Seal the flange where the housing meets the wall with caulk (**Figure 7**).



SECTION 3

Wiring

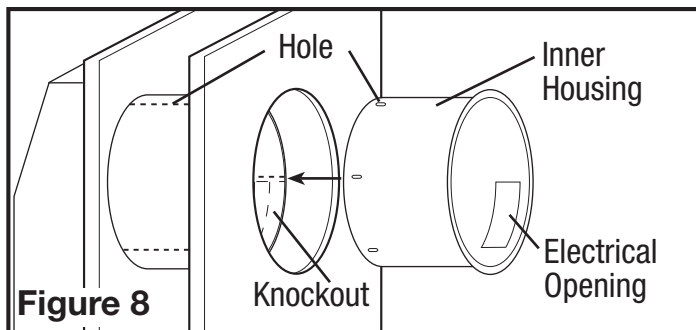


CAUTION: MAKE SURE POWER IS SWITCHED OFF AT SERVICE PANEL BEFORE STARTING INSTALLATION.



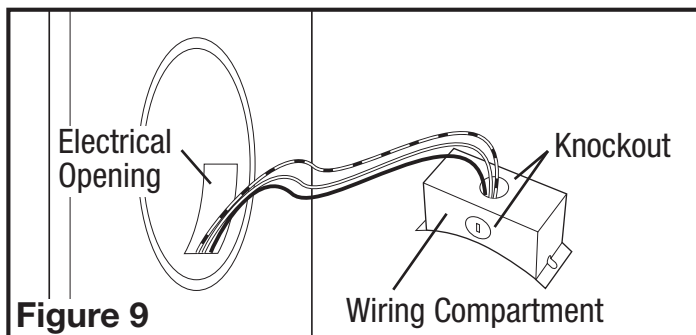
CAUTION: ALL ELECTRICAL CONNECTIONS MUST BE MADE IN ACCORDANCE WITH LOCAL CODES, ORDINANCES, OR NATIONAL ELECTRICAL CODE. IF YOU ARE UNFAMILIAR WITH METHODS OF INSTALLING ELECTRICAL WIRING, SECURE THE SERVICES OF A QUALIFIED ELECTRICIAN.

1. Run wiring from an approved wall switch carrying the appropriate rating. One neutral (white), one ground (green or bare copper), and one hot (black).
2. From inside the house, insert the inner housing into the outer housing until it is tight against the wall. Line up three holes at the end of the inner housing with three of the holes on the outer housing and secure in place with the three included 3/8" screws (Figure 8).

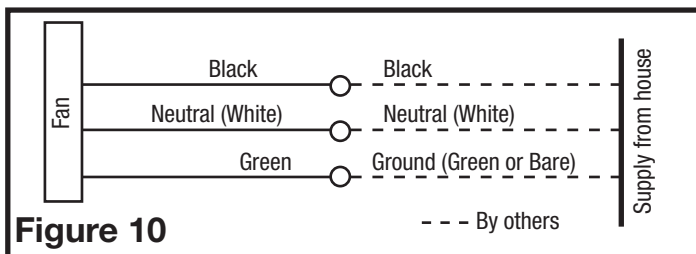


NOTE: If you removed any of the electrical compartment clearance knockouts on the outer housing, make sure the electrical opening of the inner housing is aligned with them.

3. Pull the electrical wires through the electrical opening of the interior housing. Remove one of the electrical knockouts of the wiring compartment and run wires through the opening making sure to leave enough wiring to make the connection to the fan's receptacle. Secure wires to wiring compartment with an approved electrical connector (Figure 9).



4. Connect the green or bare ground wire from the house to the ground screw in the wire compartment. Connect the white wire from the house to the white wire from the receptacle. Connect the hot (black) wire from the wall switch to the black wire from the receptacle (Figure 10). Use approved methods for all connections.



5. Insert the wire compartment into the electrical opening of the interior housing and line up holes of wire compartment and wire compartment cover with holes on the interior housing. Secure in place using the two included 1/2" screws (Figure 11).

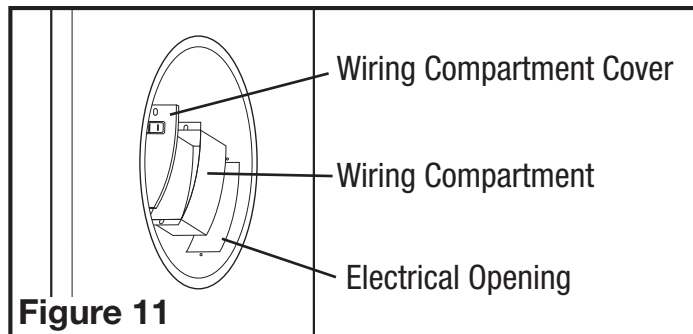


Figure 11

SECTION 4

Completing the Installation

1. Reinstall the fan's motor bracket by sliding in place and tightening the screws. Rotate the blower wheel by hand to ensure it spins freely. Now plug the fan motor into the receptacle (Figure 1).
2. Install grill by positioning over the inner housing and aligning the center hole on the grill with the hole on the motor bracket. Screw one side of the included grill bolt into the hole on the motor bracket and the other side into the grill knob and turn to tighten until the grill is tightly fit against the wall. DO NOT OVER TIGHTEN (Figure 12).

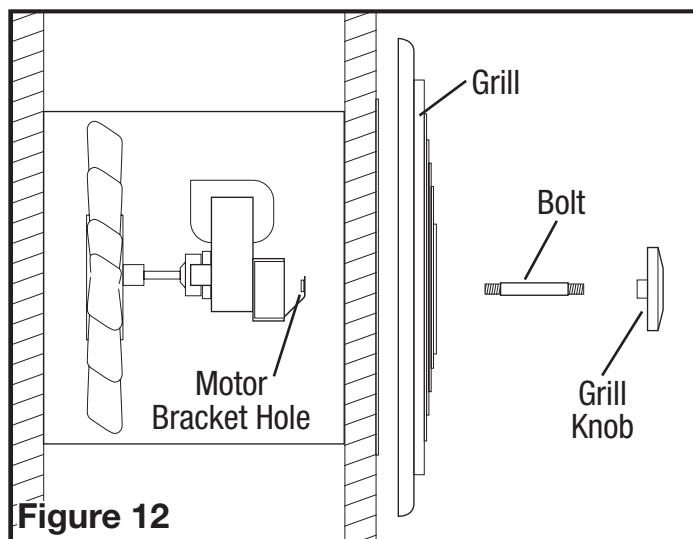


Figure 12

3. Restore power and test your installation.

SECTION 5

Use and Care



CAUTION: MAKE SURE POWER IS SWITCHED OFF AT SERVICE PANEL BEFORE SERVICING THE UNIT.

1. **Cleaning the Grill:** Remove grill and use a mild detergent, such as dishwashing liquid, and dry with a soft cloth. **NEVER USE ANY ABRASIVE PADS OR SCOURING POWDERS.** Completely dry grill before reinstalling. Refer to instructions in *Section 4 Completing the Installation*, to reinstall grill.
2. **Cleaning the Fan Assembly:** Wipe all parts with a dry cloth or gently vacuum the fan. **NEVER IMMERSE ELECTRICAL PARTS IN WATER.**

Troubleshooting Guide

Trouble	Probable Cause	Suggested Remedy
1. Fan does not operate when the switch is on.	1a. A fuse may be blown or a circuit tripped. 1b. Connector plug from motor is not plugged in. 1c. Wiring is not connected properly. 1d. Motor has stopped operating.	1a. Replace fuse or reset circuit breaker. 1b. Turn off power to unit. Remove Grill and plug motor into receptacle in housing. Restore power to unit. 1c. Turn off power to unit. Check that all wires are connected. 1d. Replace motor.
2. Fan is operating, but air moves slower than normal.	2. Obstruction in the exhaust ducting.	2. Check for any obstructions in the ducting. The most common are bird nests in the roof cap or wall cap where the fan exhausts to the outside.
3. Fan is operating louder than normal.	3a. Motor is loose. 3b. Fan blade is hitting housing of unit.	3a. Turn off power to unit. Remove grill and check that all screws are fully tightened. Restore power to unit. 3b. Call your dealer for service.

LIMITED WARRANTY

WHAT THIS WARRANTY COVERS: This product is warranted against defects in workmanship and/or materials.

HOW LONG THIS WARRANTY LASTS: This warranty extends only to the original purchaser of the product and lasts for one (1) year from the date of original purchase or until the original purchaser of the product sells or transfers the product, whichever first occurs.

WHAT AIR KING WILL DO: During the warranty period, Air King will, at its sole option, repair or replace any part or parts that prove to be defective or replace the whole product with the same or comparable model.

WHAT THIS WARRANTY DOES NOT COVER: This warranty does not apply if the product was damaged or failed because of accident, improper handling or operation, shipping damage, abuse, misuse, unauthorized repairs made or attempted. This warranty does not cover shipping costs for the return of products to Air King for repair or replacement. Air King will pay return shipping charges from Air King following warranty repairs or replacement.

ANY AND ALL WARRANTIES, EXPRESSED OR IMPLIED (INCLUDING, WITHOUT LIMITATION, ANY IMPLIED WARRANTY OF MERCHANTABILITY), LAST ONE YEAR FROM THE DATE OF ORIGINAL PURCHASE OR UNTIL THE ORIGINAL PURCHASER OF THE PRODUCT SELLS OR TRANSFERS THE PRODUCT, WHICHEVER FIRST OCCURS AND IN NO EVENT SHALL AIR KING'S LIABILITY UNDER ANY EXPRESS OR IMPLIED WARRANTY INCLUDE (I) INCIDENTAL OR CONSEQUENTIAL DAMAGES FROM ANY CAUSE WHATSOEVER, OR (II) REPLACEMENT OR REPAIR OF ANY HOUSE FUSES, CIRCUIT BREAKERS OR RECEPTACLES. NOTWITHSTANDING ANYTHING TO THE CONTRARY, IN NO EVENT SHALL AIR KING'S LIABILITY UNDER ANY EXPRESS OR IMPLIED WARRANTY EXCEED THE PURCHASE PRICE OF THE PRODUCT AND ANY SUCH LIABILITY SHALL TERMINATE UPON THE EXPIRATION OF THE WARRANTY PERIOD.

Some states and provinces do not allow limitations on how long an implied warranty lasts, or the exclusion or limitation of incidental or consequential damages, so these exclusions or limitations may not apply to you. This warranty gives you specific legal rights. You may also have other rights which vary from state to state and province to province. Proof of purchase is required before a warranty claim will be accepted.

CUSTOMER SERVICE:

Toll-Free (800) 465-7300

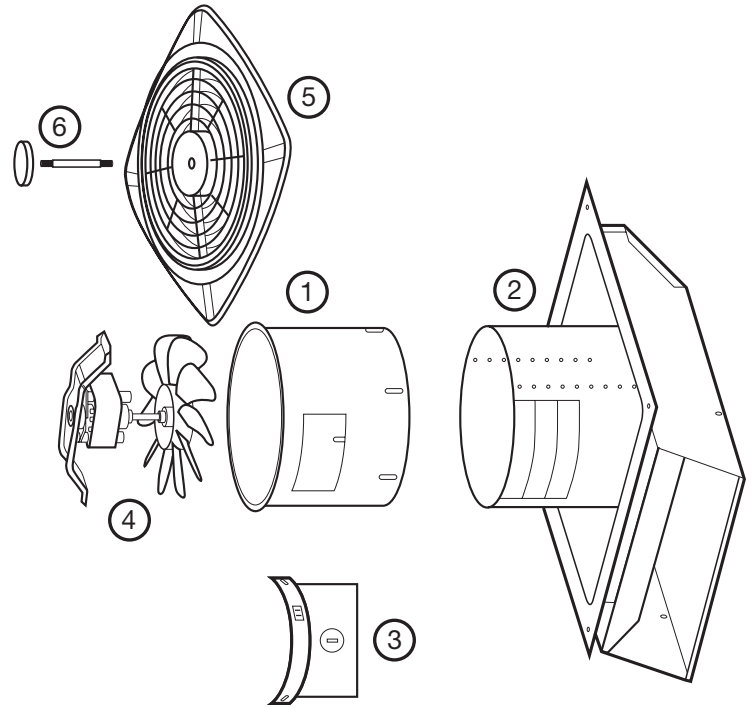
Our Customer Service team is available to assist you with product questions, service center locations, and replacement parts. They can be reached Monday through Friday, 8am-4pm Eastern. Please have your model number available, as well as the type and style (located on the label inside of your product).

Please do not return product to place of purchase.

www.airkinglimited.com

PARTS FOR DISCONTINUED, OBSOLETE AND CERTAIN OTHER PRODUCTS MAY NOT BE AVAILABLE. DUE TO SAFETY REASONS, MANY ELECTRONIC COMPONENTS AND MOST HEATER COMPONENTS ARE NOT AVAILABLE TO CONSUMERS FOR INSTALLATION OR REPLACEMENT.

#	Qty.	Description	Replacement Part #
1	1	Interior Housing	5S2203001
2	1	Exterior Housing Assembly	5S2203102
3	1	Wire Compartment Assembly	5S2203110
4	1	Motor Assembly	5S2203114
5	1	Grill	5S2203021
6	1	Knob - Grill	5S2203020



Installer: _____

Installation Date: _____

Place of Purchase: _____

Model Number: _____

INSTRUCTIONS IMPORTANTES – MANUEL D'OPÉRATION

Modèle: EWF-180



Ventilateur d'évacuation au
travers du mur



LIRE ET CONSERVER CES INSTRUCTIONS

LIRE SOIGNEUSEMENT AVANT DE TENTER D'ASSEMBLER, INSTALLER, OPÉRER OU DE RÉPARER LE PRODUIT DÉCRIT. PROTÉGEZ VOUS-MÊME ET LES AUTRES EN OBSERVANT TOUTE L'INFORMATION DE SÉCURITÉ. FAILLIR À SE CONFORMER AUX INSTRUCTIONS PEUT RÉSULTER EN BLESSURE PERSONNELLE GRAVE ET/OU EN DOMMAGE À LA PROPRIÉTÉ.



CONSERVER CES INSTRUCTIONS POUR RÉFÉRENCES FUTURES.

INSTRUCTIONS GÉNÉRALES DE SÉCURITÉ



Lors de l'utilisation d'appareils électriques, des précautions de base doivent toujours être suivies pour réduire les risques d'incendie, de choc électrique et de blessures corporelles, incluant ce qui suit:



AVERTISSEMENT : POUR RÉDUIRE LES RISQUES D'INCENDIE, DE CHOC ÉLECTRIQUE OU DE BLESSURES PERSONNELLES OBSERVER CE QUI SUIT:

- Utiliser cette unité seulement de la manière pour laquelle le fabricant l'a conçu. Si vous aviez des questions, veuillez contacter le fabricant.
- Avant d'effectuer un service ou de nettoyer l'unité, couper l'alimentation électrique dans le panneau de distribution et verrouiller le dispositif de déconnexion afin d'éviter que l'alimentation ne revienne accidentellement. Lorsque le dispositif ne peut être verrouillé, fixer solidement un avis d'avertissement, tel qu'une étiquette, au panneau de distribution.



AVERTISSEMENT : POUR RÉDUIRE LES RISQUES D'INCENDIE, DE CHOC ÉLECTRIQUE OU DE BLESSURES PERSONNELLES OBSERVER CE QUI SUIT:

- Le travail d'installation et le câblage électrique doivent être effectués par une(des) personne(s) qualifiée(s) en conformité avec tous les codes et normes applicables, incluant la construction relative aux incendies.
- De l'air en quantité suffisante est requis pour la bonne combustion et l'évacuation de gaz par le conduit (cheminée) provenant d'équipement de brûlage au combustible pour prévenir un refoulement. Suivre les directives du fabricant de l'équipement de chauffage et les normes de sécurité telles que celles publiées par la National Fire Protection Association (NFPA) et de la American Society for Heating, Refrigeration, and Air Conditioning Engineers (ASHRAE), et de celles des autorités locales du code.
- Lors de coupe ou de perçage des murs et plafonds, ne pas endommager le filage électrique et autres utilités cachées.



ATTENTION : POUR USAGE DE VENTILATION GÉNÉRALE EXCLUSIVEMENT. NE PAS UTILISER POUR ÉVACUER DU MATÉRIEL ET DES VAPEURS DANGEREUSES OU EXPLOSIVES.

- Les ventilateurs avec conduits doivent toujours être évacués vers l'extérieur
- Cette unité doit être mise à la terre
- Pour éviter des dommages aux roulements des moteurs et/ou des hélices bruyantes ou déséquilibrées, empêcher la poussière de cloison sèche, poussière de construction, etc., d'atteindre l'unité de puissance.
- Lire toutes les instructions avant d'installer ou d'utiliser la ventilateur.



AVERTISSEMENT : POUR RÉDUIRE LES RISQUES D'INCENDIE OU DE CHOC ÉLECTRIQUE, NE PAS UTILISER CE VENTILATEUR AVEC UN RÉGULATEUR DE VITESSE ÉLECTRONIQUE.

- Si cet appareil doit être installé au-dessus d'une baignoire ou d'une douche, il doit être marqué comme approprié pour l'application et connecté à un DDFT (disjoncteur différentiel de fuite à la terre) - circuit de dérivation protégé.



AVERTISSEMENT : NE PAS UTILISER DANS LES CUISINES

CONSERVER CES INSTRUCTIONS

INSTRUCTIONS D'INSTALLATION



ATTENTION : VOUS ASSURER QUE L'ALIMENTATION EST COUPÉE AU PANNEAU DE SERVICE AVANT DE COMMENCER L'INSTALLATION.

SECTION 1

Préparation du ventilateur d'évacuation

1. Retirer de son emballage et confirmer que toutes les pièces sont présentes. Vous devriez avoir :

- 1 - Grille
- 1 - Bouton de grille
- 1 - Compartiment de câblage et vis
- 1 - Moteur
- 1 - Châssis
- 1 - Feuillet d'instructions / sécurité

REMARQUE : Ce ventilateur est conçu pour se monter entre les murs extérieurs d'une épaisseur de 11,4 à 24,1 cm.

2. Enlever l'assemblage de support du moteur du châssis du ventilateur en desserrant les deux vis qui tiennent en place le support (**Figure 1**).

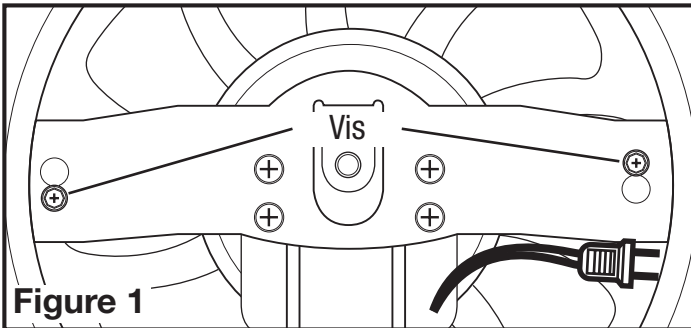


Figure 1

3. Glisser le châssis intérieur à l'extérieur du châssis extérieur et le mettre de côté dans un endroit sécuritaire (**Figure 2**).

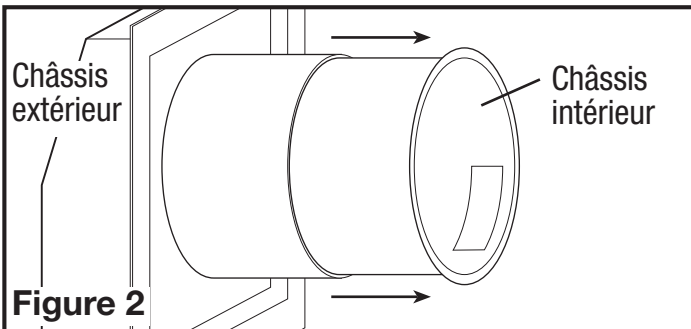


Figure 2

SECTION 2

Montage du châssis

1. De l'intérieur de la maison, choisir le meilleur emplacement pour le montage du châssis sur un mur extérieur. Assurez-vous de localiser le châssis où il n'y a pas de montant, d'utilités mécaniques ou électriques, ni toute autre obstruction.
2. Une fois que vous avez sélectionné le meilleur emplacement de l'intérieur de la maison, transférer l'emplacement à l'extérieur de la maison et confirmer qu'il n'y a pas d'obstruction dans l'emplacement et que le ventilateur aura un dégagement adéquat pour opérer.
3. Une fois que l'emplacement d'installation a été confirmé, découper un trou de 21 cm de diamètre dans le mur intérieur où le ventilateur sera localisé (**Figure 3**).

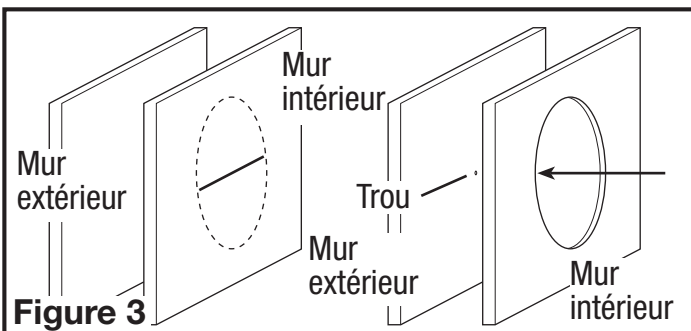


Figure 3

4. Percer un petit trou vers l'extérieur au centre du trou de 21 cm de diamètre, de manière à situer adéquatement le châssis extérieur (**Figure 3**).

5. Sur le revêtement du mur extérieur, tracer un carré de 36,8 x 36,8 cm en utilisant le petit trou percé à l'étape 4 comme point central et découper le trou carré (**Figure 4**).

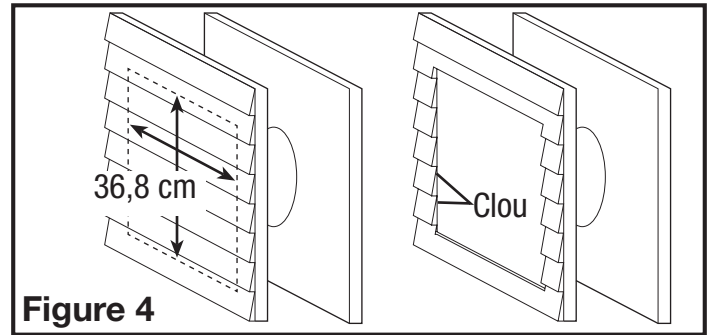


Figure 4



ATTENTION : COUPER SEULEMENT LE REVÊTEMENT DU MUR EXTERIEUR. NE PAS COUPER DANS LE COFFRAGE (CONTREPLAQUE) SOUS-JACENT.

6. Une fois que le revêtement est découpé, clouer toutes les extrémités lâches du revêtement (**Figure 4**).
7. Au centre de la découpe carrée de 36,8 cm faite à l'étape 5, marquer et découper un trou de 21 cm au travers du coffrage du mur (**Figure 5**).

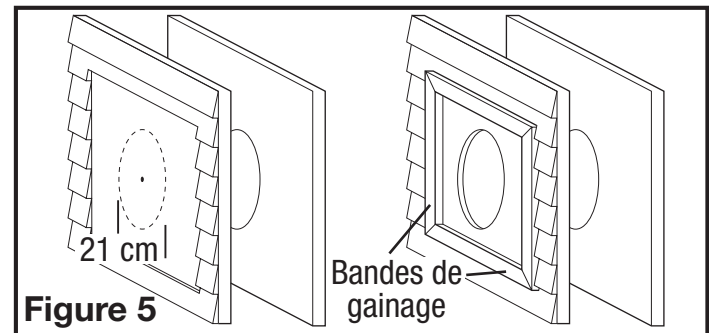


Figure 5

8. Installer des bandes de gainage de 2,5 x 5,1 cm (non-comprises) pour le support sur les rebords du trou carré de 36,8 cm. Fixer les bandes de gainage au contreplaqué de coffrage du mur avec des vis ou des clous (non-compris) et sceller à l'endroit où les bandes rencontrent le contreplaqué avec du calfeutrage (**Figure 5**).



ATTENTION : SI LE COFFRAGE N'EST PAS EN CONTREPLAQUE, VOUS DEVEZ AJOUTER UN SUPPORT ADDITIONNEL POUR L'INSTALLATION.

9. Si le mur est d'une épaisseur de moins de 20,3 cm, enlever une (ou plus) des alvéoles défonçables de dégagement du compartiment électrique situées sur le châssis (**Figure 6**).

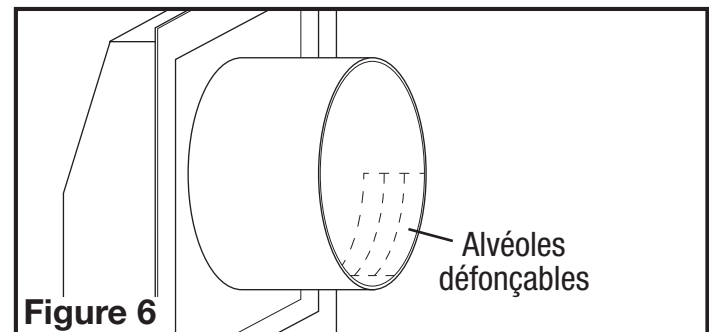


Figure 6

10. Sur la bride intérieure du châssis, appliquer une quantité généreuse de calfeutrage et installer le châssis au travers du trou et sur les bandes de gainage et serrer en place avec des vis ou des clous (non-compris) au travers des trous pré-perçés sur les quatre coins du châssis. Sceller la bride avec du calfeutrage à l'endroit où le châssis rencontre le mur (**Figure 7**).

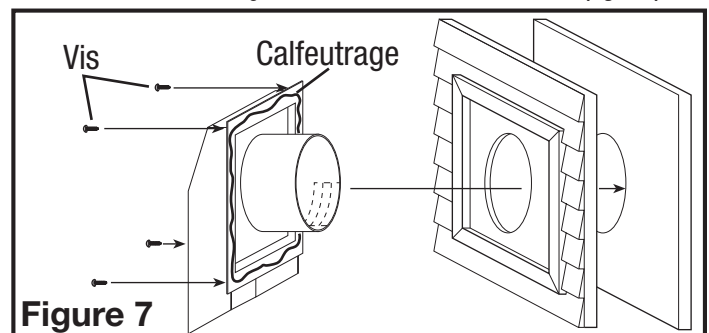


Figure 7

SECTION 3

Câblage



ATTENTION : VOUS ASSURER QUE L'ALIMENTATION EST COUPÉE AU PANNEAU DE SERVICE AVANT DE COMMENCER L'INSTALLATION.



ATTENTION : TOUTES LES CONNEXIONS DOIVENT ÊTRE FAITES EN CONFORMITÉ AVEC LES CODES ÉLECTRIQUES LOCAUX OU NATIONAUX. SI VOUS N'ÊTES PAS FAMILIER AVEC LES MÉTHODES D'INSTALLATION DE CÂBLAGE ÉLECTRIQUE, RECOUREZ AUX SERVICES D'UN ÉLECTRICIEN QUALIFIÉ.

1. Faire courir le filage à partir d'un interrupteur mural approuvé et arborant la capacité adéquate. Un fil de neutre (blanc), un fil de mise à la terre (vert ou cuivre nu), et un vivant (noir).
2. De l'intérieur de la maison, insérer le châssis intérieur dans le châssis extérieur jusqu'à ce qu'il soit serré contre le mur. Aligner les trois trous à l'extrémité du châssis intérieur avec les trois trous sur le châssis extérieur et fixer en place avec les 3 vis comprises de 1 cm (Figure 8).

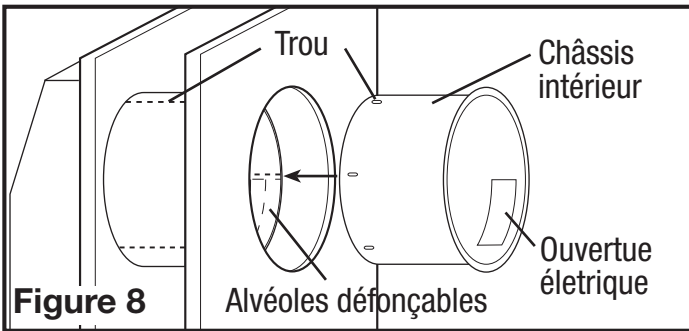


Figure 8

REMARQUE : Si vous avez enlevé des alvéoles défonçables du compartiment électrique du châssis extérieur, assurez-vous que l'ouverture électrique du châssis intérieur soit alignée avec celles-ci.

3. Tirer les fils électriques au travers de l'ouverture électrique du châssis intérieur. Enlever une des alvéoles défonçables du compartiment de câblage et courir les fils au travers de l'ouverture en vous assurant de laisser suffisamment de filage pour faire les raccordements dans le réceptacle du ventilateur. Fixer les fils au compartiment de câblage avec des connecteurs électriques approuvés (Figure 9).

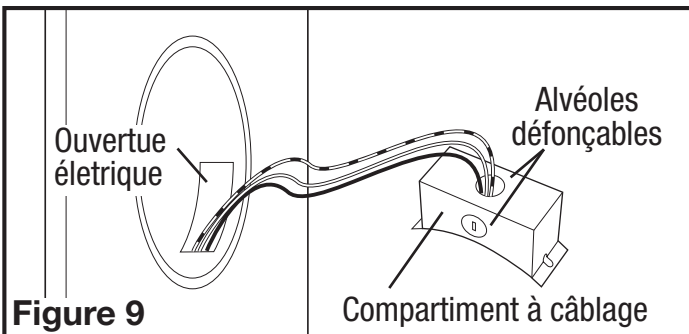


Figure 9

4. Connecter le fil vert ou de cuivre nu de la maison au bornier de mise à la terre dans le compartiment à câblage. Connecter le fil blanc de la maison au fil blanc dans le réceptacle. Connecter le fil vivant (noir) de l'interrupteur mural au fil noir du réceptacle (Figure 10). Utiliser des méthodes de raccordement approuvées pour toutes les connexions.

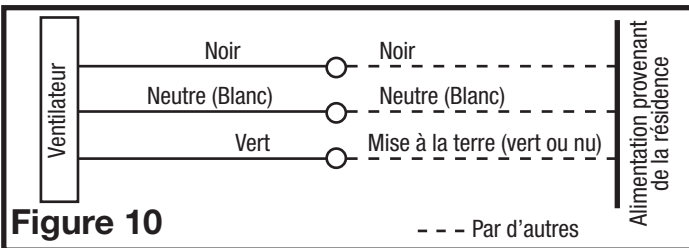


Figure 10

5. Insérer le compartiment de câblage dans l'ouverture électrique du châssis intérieur et aligner les trous du compartiment de câblage avec le couvercle du compartiment de câblage sur le châssis intérieur. Fixer en place à l'aide des deux vis de 1,3 cm comprises (Figure 11).

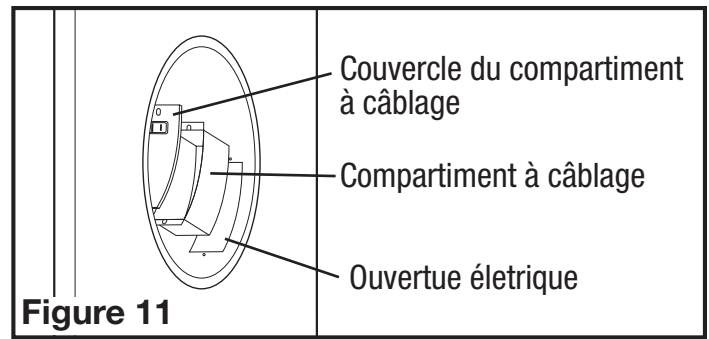


Figure 11

SECTION 4

Complétion de l'installation

1. Réinstaller le support du moteur du ventilateur en le glissant en place et en serrant les vis. Faire tourner la roue de soufflante à la main pour vous assurer qu'elle tourne librement. Maintenant, brancher le moteur dans le réceptacle (Figure 1).
2. Installer la grille en la positionnant sur le châssis intérieur et en alignant le trou central sur la grille avec le trou sur le support du moteur. Visser un côté du boulon inclus de la grille sur le support du moteur et l'autre côté dans le bouton de la grille et tourner pour serrer jusqu'à ce que la grille soit ajustée bien serrée contre le mur. NE PAS SERRER A OUTRANCE (Figure 12).

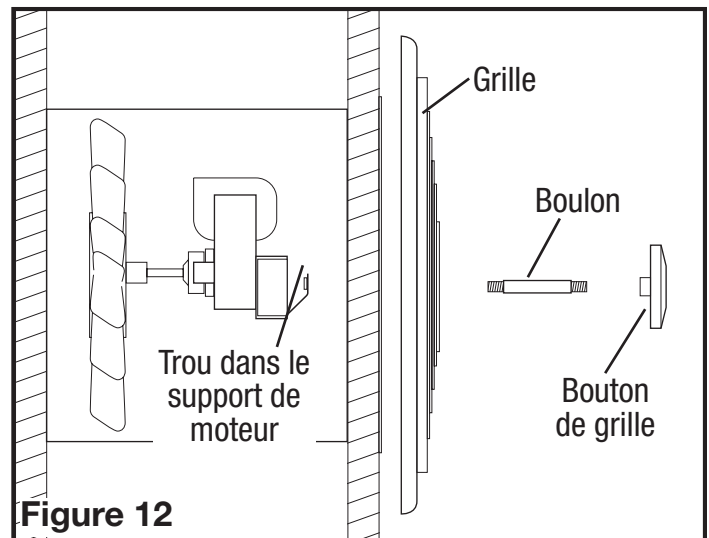


Figure 12

3. Remettre l'alimentation et tester votre installation.

SECTION 5

Utilisation et entretien



ATTENTION : ASSUREZ-VOUS QUE LE COURANT EST COUPÉ À PARTIR DU PANNEAU ÉLECTRIQUE AVANT DE PROCÉDER À L'ENTRETIEN DE L'UNITÉ.

1. **Nettoyage de la grille :** Retirer la grille et utiliser un détergent doux, tel que du liquide pour la vaisselle, puis sécher à l'aide d'un chiffon doux. **NE JAMAIS UTILISER D'ABRASIF OU DE POUDRE À RÉCURER.** Sécher complètement la grille avant de la réinstaller. Pour réinstaller la grille, vous référer à la **Section 6 - Complétion de l'installation.**
2. **Nettoyage de l'assemblage du ventilateur :** Nettoyer toutes les parties à l'aide d'un chiffon sec ou passer délicatement l'aspirateur sur le ventilateur. **NE JAMAIS IMMERGER LES PARTIES ÉLECTRIQUES DANS L'EAU.**

Guide de dépannage

Trouble	Cause Possible	Solution Suggérée
1. Le ventilateur ne fonctionne pas lorsque	1a. Un fusible peut être grillé ou un disjoncteur l'interrupteur est à la position en marche. 1b. La fiche de raccord du moteur n'est pas connectée. 1c. Le câblage n'est pas raccordé correctement. 1d. La moteur est terminée	1a. Remplacer le fusible ou réinitialiser le disjoncteur. peut être déclenché. 1b. Couper l'alimentation à l'unité. Retirer la grille et brancher le moteur dans le réceptacle dans le cabinet. Remettre l'alimentation sur l'unité. 1c. Couper l'alimentation de l'unité. Vérifier que tous les fils sont raccordés. 1d. Remplacez la moteur
2. Le ventilateur fonctionne, mais l'air circule plus lentement que la normale.	2. Obstruction dans les conduits d'évacuation.	2. Vérifier pour toute obstruction dans les conduits. Les plus courantes sont des nids d'oiseau dans le chapeau de toit ou mural là où le ventilateur s'évacue vers l'extérieur.
3. Le ventilateur fonctionne de manière plus bruyante que la normale.	3a. Le moteur est lâche. 3b. L'hélice du ventilateur frotte contre le cabinet de l'unité.	3a. Couper l'alimentation à l'unité. Retirer la grille et vérifier que toutes les vis sont complètement serrées. Remettre l'alimentation sur l'unité. 3b. Appeler votre marchand pour un service.

GARANTIE LIMITÉE

CE QUE COUVRE CETTE GARANTIE : Ce produit est garanti contre tout vice de fabrication ou de matière.

COMBIEN DE TEMPS CETTE GARANTIE DURE : Cette garantie se rapporte seulement à l'acheteur original du produit et dure pendant un (1) année de la date de l'achat original ou jusqu'à ce que l'acheteur original du produit vend ou transfère le produit, celui qui se produit en premier.

QUE FERA AIR KING : Au cours de la période de garantie, Air King, à son choix, réparera ou remplacera n'importe quelle partie ou pièces qui s'avèrent défectueuses ou remplacera le produit entier par le même modèle ou un modèle comparable.

CE QUE CETTE GARANTIE NE COUVRE PAS : Cette garantie ne s'applique pas si le produit était endommagé ou arrêté de fonctionner en raison d'un accident, d'une mauvaise manipulation ou opération, de dommages d'expédition, d'abus, de mauvaise utilisation, de réparation faite ou tentées non autorisées. Cette garantie ne couvre pas les coûts d'expédition pour le retour des produits à Air King pour la réparation ou le remplacement. Air King payera les frais d'expédition de retour de Air King après les réparations ou le remplacement de garantie.

TOUTES LES GARANTIES, EXPRESSES OU TACITES (COMPRENANT, SANS LIMITATION, TOUTE GARANTIE TACITE DE VALEUR MARCHANDE), DURENT UN AN DE LA DATE DE L'ACHAT ORIGINAL OU JUSQU'À CE QUE L'ACHETEUR ORIGINAL DU PRODUIT VEND OU TRANSFÈRE LE PRODUIT, CELUI QUI SE PRODUIT EN PREMIER ET DANS AUCUN CAS AIR KING N'ASSUME AUCUNE RESPONSABILITÉ EXPRESSE OU TACITE POUR (I) DES DOMMAGES ACCIDENTELS OU INDIRECTS DE N'IMPORTE QUELLE CAUSE, OU (II) LE REMPLACEMENT OU LA RÉPARATION DE TOUS FUSIBLES, DISJONCTEURS OU RÉCEPTACLES DE MAISON. MALGRÉ N'IMPORTE QUOI À L'EFFET CONTRAIRE, DANS AUCUN CAS LA RESPONSABILITÉ D'AIR KING, SOUS UNE GARANTIE EXPRESSE OU TACITE, NE DÉPASSERA LE PRIX D'ACHAT DU PRODUIT ET UNE TELLE RESPONSABILITÉ SE TERMINERA AVEC L'EXPIRATION DE LA PÉRIODE DE GARANTIE.

Certains états et provinces ne permettent pas les limitations de la période de garantie, ou l'exclusion ou la restriction des dommages accidentels ou indirects, et, par conséquent, les présentes restrictions ne peuvent pas s'appliquer. La présente garantie vous donne des droits légaux spécifiques et peut-être certains autres droits qui peuvent varier selon la province. La preuve d'achat est exigée avant qu'une réclamation de garantie ne soit acceptée.

SERVICE À LA CLIENTÈLE :

Sans frais (800) 465-7300

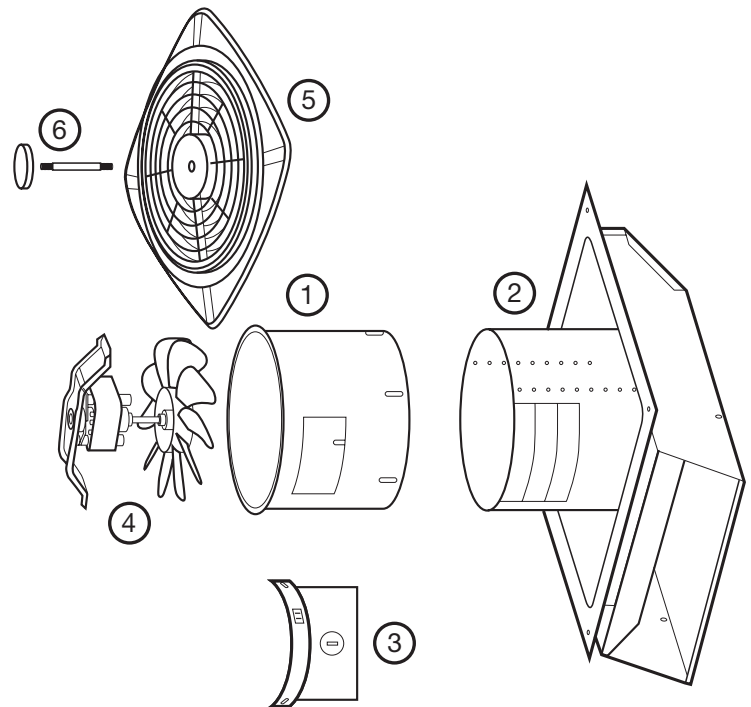
Notre équipe de service à la clientèle est disponible pour vous aider avec des questions sur le produit, les adresses des centres de service, et les pièces de rechange. Vous pouvez la rejoindre, du lundi au vendredi, de 8h:00 à 16h:00 HNE. Veuillez avoir le numéro du modèle disponible, ainsi que le genre et le style (qui se trouvent sur l'étiquette à l'intérieur de votre produit).

Veuillez ne pas renvoyer le produit à l'endroit de l'achat.

www.airkinglimited.com

IL SE PEUT QUE LES PIÈCES POUR LES PRODUITS DISCONTINUÉS, OBSOLETES ET AUTRES PRODUITS NE SOIENT PAS DISPONIBLES. POUR DES RAISONS DE SÛRETÉ, BEAUCOUP DE COMPOSANTS ÉLECTRONIQUES ET LA PLUPART DES COMPOSANTS DES CHAUFFAGES NE SONT PAS À LA DISPOSITION DES CONSOMMATEURS POUR L'INSTALLATION OU LE REMPLACEMENT.

#	Qté.	Description	# de pièce de remplacement
1	1	Châssis intérieur	5S2203001
2	1	Assemblée de Châssis extérieur	5S2203102
3	1	Assemblée de Compartiment à câblage	5S2203110
4	1	Assemblée de Moteur	5S2203114
5	1	Grille	5S2203021
6	1	Bouton de grille	5S2203020



Installateur : _____

Date d'installation : _____

Endroit de l'achat : _____

Numéro de modèle : _____