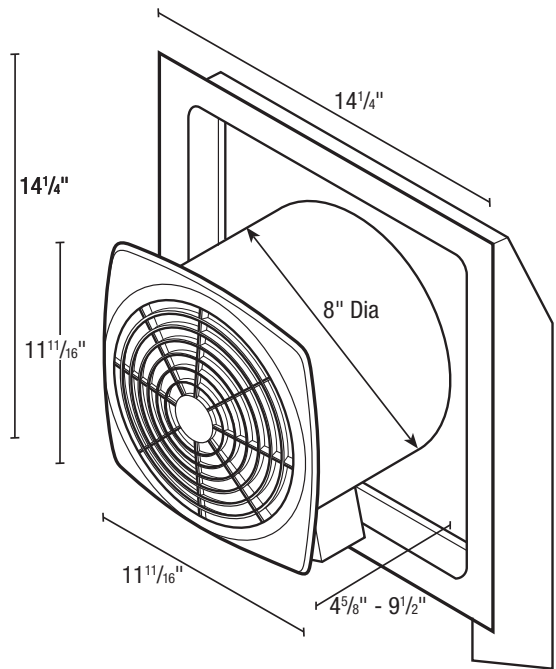




**SPECIFICATIONS**  
**EWF-180**  
**EXHAUST FAN**

**180 CFM/6.5 Sones @ 0.03" SP.**

- **Grill**  
White polymeric grill, dimensions - 11½" x 11½".
- **Blower Wheel**  
Axial Fan Blade – plastic 7.5" Diameter 10 paddle.
- **Motor**  
Heavy duty, permanently split capacitor, plug-in, 4 pole motor, life time lubrication, thermally protected. Rated 120 volts, 60 hz.
- **Fan Housing**  
Rugged heavy gage steel housing finished with electro-statically applied epoxy paint stands up to UV light, water, and temperature extremes.
- **Duct**  
Metal 8" round duct, vents directly to outside, includes springloaded aluminum backdraft damper.
- **Ventilating Area**  
For rooms up to 225 sq. ft.
- **Unit Mounting**  
Exterior wall mounting eliminates the need for ductwork by venting directly outdoors and can be installed in walls 4" to 9" thick.
- **Single Pack Shipping Info**  
Box Dim: 19¼" x 15½" x 10½"  
UPC: 0-8316221801-8  
Shipping Weight: 13.7 lbs.



**EXPANDED PERFORMANCE**

	Static Pressure (inches of w.g.)							Sones @ .1 SP	Fan Speed RPM	Maximum Fan Watts	Amps
	0	0.03	0.1	0.15	0.2	0.25	0.3				
<b>Air Flow - CFM</b>	193	180	157	147	139	134	131	6.5	2200	80	0.8

<b>PROJECT</b>				<b>ARCHITECT</b>					
<b>LOCATION</b>				<b>ENGINEER</b>					
<b>CONTRACTOR</b>				<b>SUBMITTED BY</b>			<b>DATE</b>		
FAN NUMBER	MODEL NUMBER	CFM	IN W.G.	RPM	WATTS	AMPS	SONES	QTY	OPTIONAL EQUIPMENT & REMARKS



**U.S.:** 820 Lincoln Avenue  
 West Chester, Pennsylvania 19380-4466  
 Tel: (610) 692-7400 • 877-304-3785  
 Fax: (610) 696-8048

**Canada:**  
 Bolton, Ontario  
 Tel: 905-456-2033